

PULSE DELAY UNIT UN14L/505A-E

Introduction

The UN14L/505¹ pulse delay and amplifier assembly provides up to eight pre-set delays for timing adjustment in a pulse distribution chain. It consists of a PN3A/29 termination panel modified to accept a UN14/504² Pulse Delay Unit and a buffer amplifier type AM1/571³.

Fig. 1 shows that of the eight available outputs, one is permanently connected through an amplifier to the point of maximum delay on the UN14/504; the other seven outputs are taken, each via an amplifier, from selected tapping points linked as necessary to give delays within this maximum value.

The unit occupies 54 mm width of a PN3/23 rack.

General Specification

| | |
|---|--|
| <i>Input Pulse Level</i> | 2 V p-p negative-going |
| <i>Input Impedance</i> | 75 ohms |
| <i>Output Pulse Level</i> (all outputs) | |
| from delay line UN14/504 | 0.9 V p-p |
| from UN14L/505 | 2 V p-p ± 1 dB |
| <i>Output Impedances</i> (all outputs) | |
| delay line UN14/504 | high |
| UN14L/505 | 75 ohms |
| <i>Reflections and Spurious</i> <i>Distortions</i> | |
| (up to four outputs from one tap on the delay line) | less than 10 per cent of pulse amplitude |
| <i>Power Requirement</i> | 180 mA d.c. at +18 V regulated |
| <i>Operating Temperature Range</i> | 10 C to 45 C ambient |

References

1. Designs Department Spec. No. 8.301(68)
2. Designs Department Spec. No. 8.287(68)
3. Designs Department Spec. No. 8.294(68)
4. BBC Standards Catalogue No. 1-21922-005.

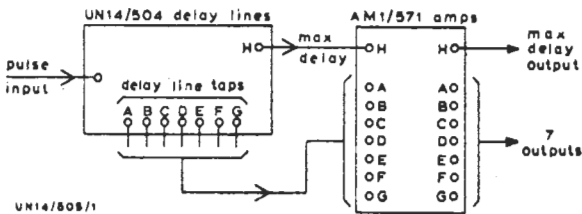


Fig. 1 Block Diagram of the Pulse-delay Unit UN14/505

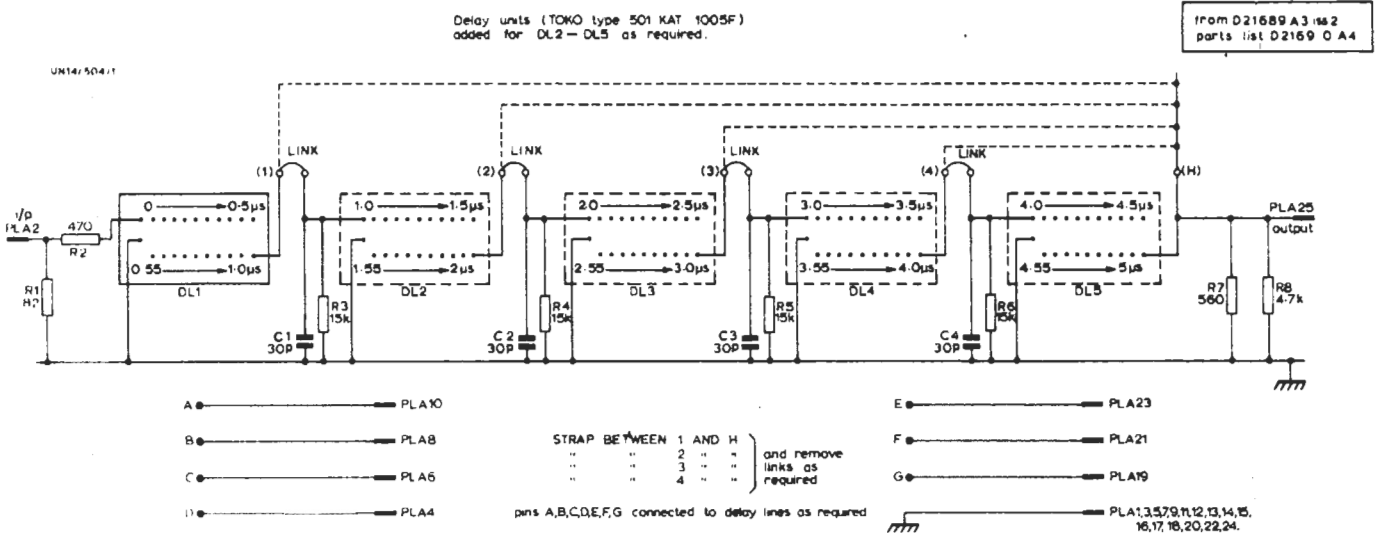


Fig 1 Connections of the Pulse delay Unit UN14/504