

STUDIO MIXER PHASING UNIT UN14/515

Introduction

The UN14/515 is a four-channel phasing unit designed for use with the MX1/503 studio mixer. It provides a small degree of phasing adjustment for each of the mixer outputs and compensates for timing errors caused by cable length variations of up to 1 ft.

The unit is constructed on a CH1/12A chassis with index pegs 28 and 37.

General Specification

<i>Mean Insertion Delay</i> (each channel)	10 ns (16° at 4.43 MHz)
<i>Adjustment Range</i> (each channel)	± 2.5 ns ($\pm 4^\circ$ at 4.43 MHz)
<i>Impedance</i>	75 ohms
<i>Return Loss</i>	
optimum setting	greater than 55 dB at 4.43 MHz
minimum setting	greater than 26 dB at 4.43 MHz
maximum setting	greater than 24 dB at 4.43 MHz

The return loss quoted for minimum and maximum settings are nominal. Actual figures may be 6 dB worse because of the spread in maximum and minimum capacitor values.

Maintenance

Routine maintenance is not required. The preset capacitor settings should not be altered once they are set for a particular installation.

Reference

1. Designs Department Specification No.8.344 (69)

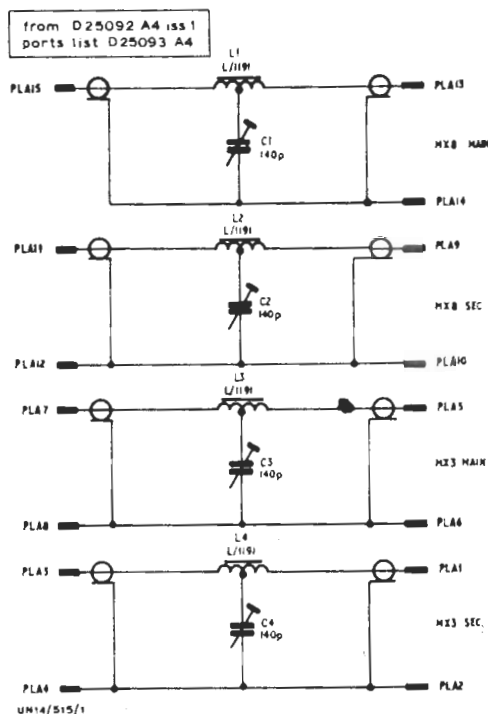


Fig. 1 Circuit of the Studio Mixer Phasing Unit UN14/515

AIB5/71