

FIELD PULSE SEPARATORS UN16/523 AND UN16/523A

General

These units contain two separate circuits, a field-pulse separator and a sync-pulse mean-level detector. Both circuits accept inverted mixed-sync pulses; the field-pulse separator provides positive-going field pulses and the mean-level detector provides a d.c. signal which can be varied in amplitude by means of a pre-set resistor.

These units form integral parts of field-sync

detector units<sup>1</sup>; the UN16/523 is used for 625-line working and the UN16/523A is used for 405-line working. The circuit diagram for both versions is given in Fig. 1.

References to Typical Associated Equipment

1. Field Sync Detector Units MN1/505 and MN1/505A.

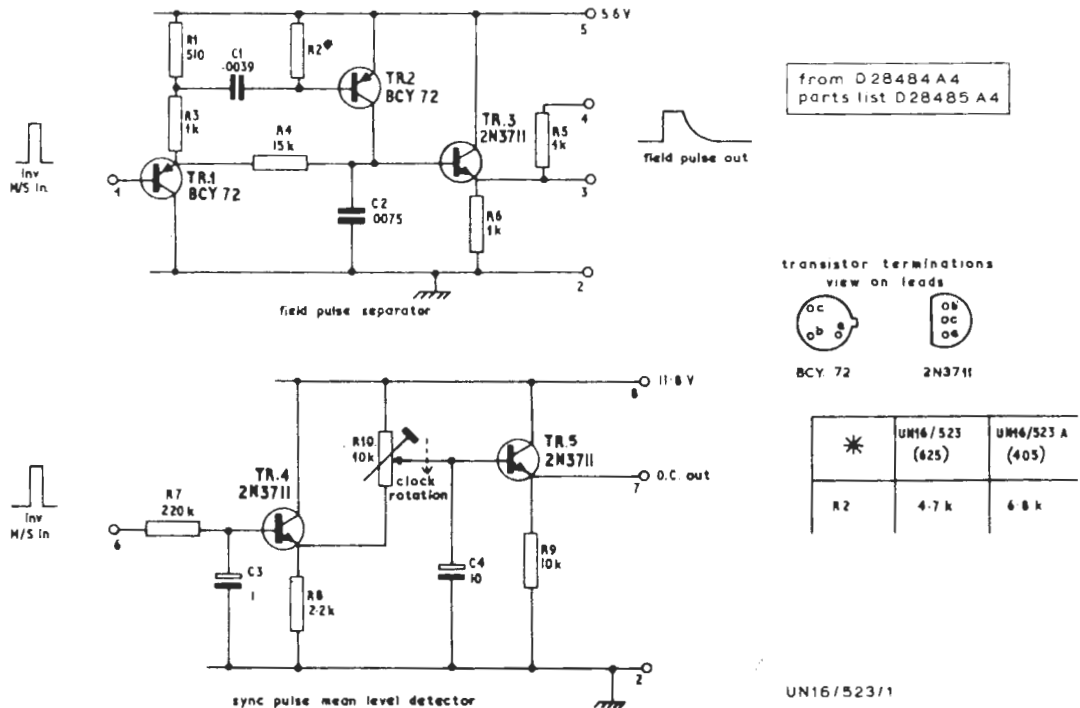


Fig. 1 Circuit of the UN16/523 and UN16/523A

TES 12/71