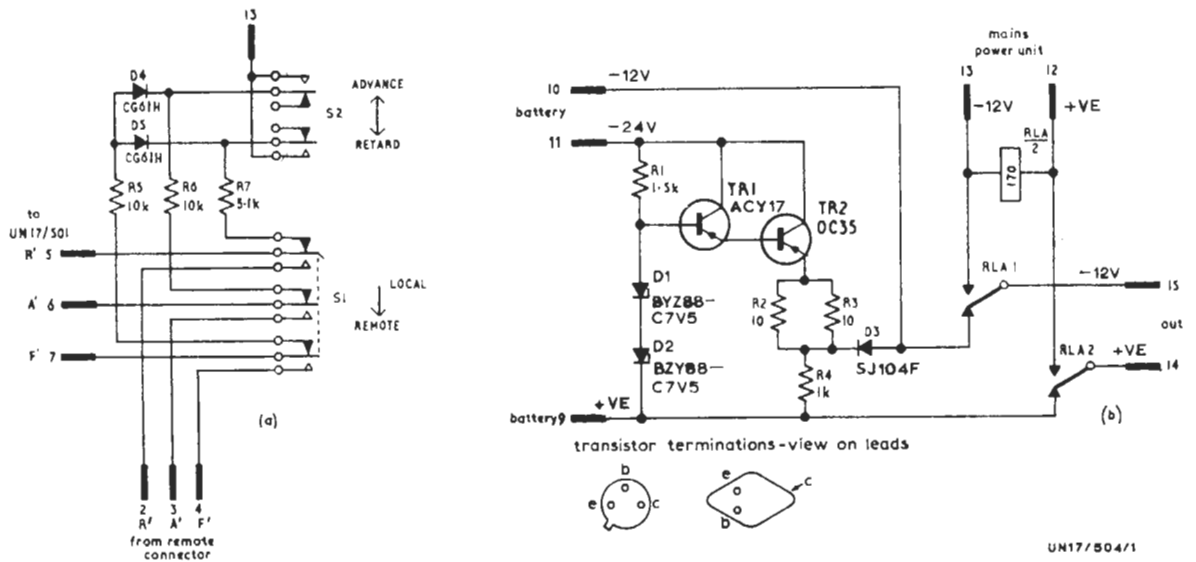


CONTROL UNIT UN17/504



UN17/504/1

Fig. 1 Circuit of the UN17/504
 (a) switching circuit (b) battery circuit

The Control Unit UN17/504 is used in a Drive Unit GE1/520 or GE1/520A. It contains a switching circuit, Fig. 1(a), to control the phase of the output from the Drive Unit and a standby battery switching and regu-

lator circuit, Fig. 1(b).

The UN17/504 is constructed on a CH1/12A chassis with index peg positions 12 and 13.

MJR 9/66
 Revised RDH 11/71