

PICTURE UNIT UN17/516

Introduction

The UN17/516 accepts a feed of mixed syncs and generates picture-frequency pulses on even frames only.

The unit is constructed on a CH1/12A chassis with index-peg positions 5 and 40. It forms part of Waveform Generator Drive Unit GE1M/530.

Circuit Description

The circuit diagram of the UN17/516 is given in Fig. 1. The circuit is the same as that used in the Picture and Field Unit UN17/503. (Note that different transistor numbers and types are used.)

AIB 11/67

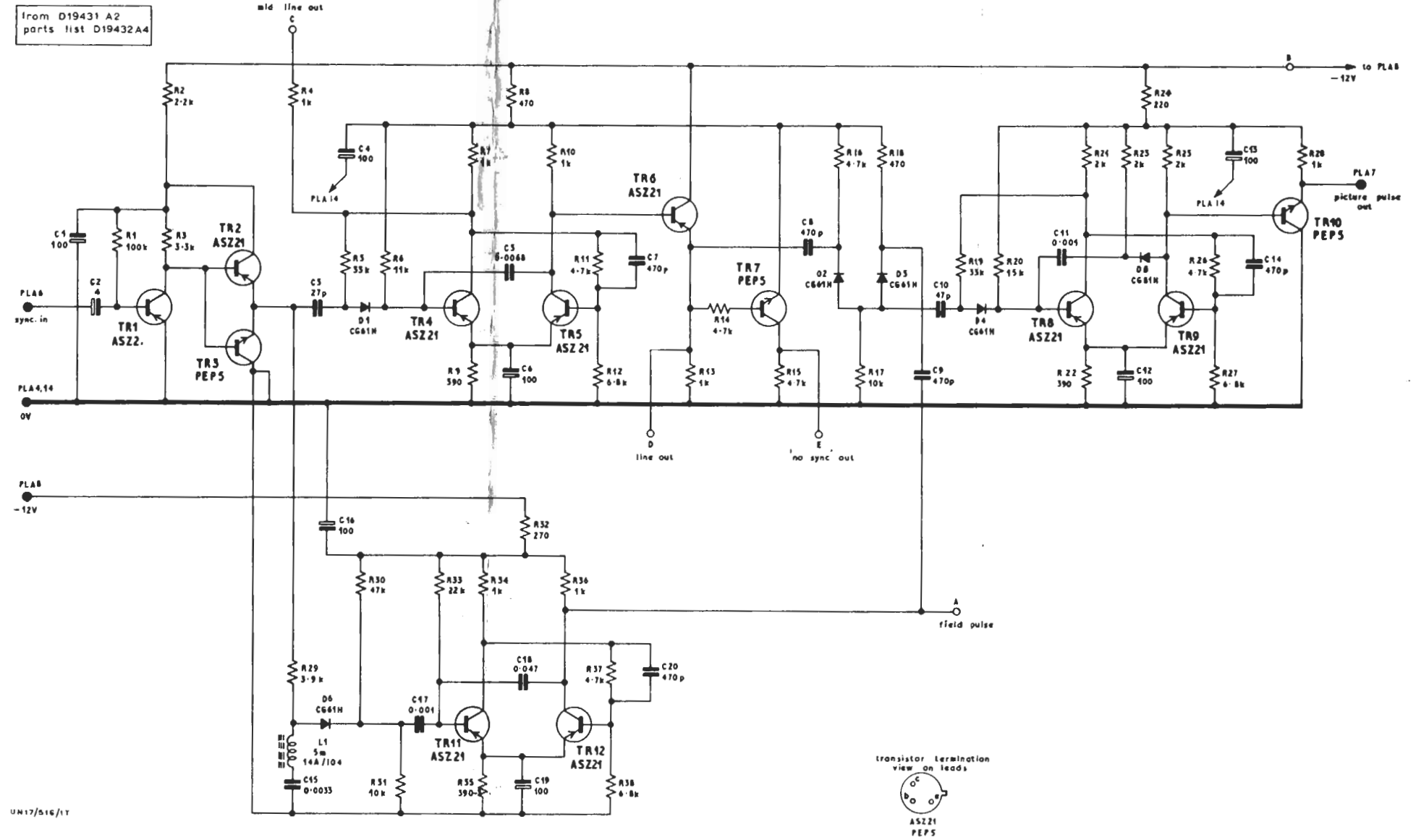


Fig. 1 Circuit of Picture Unit UN17/516