

INPUT AND GAIN CONTROL UNIT UN1/101

See PA1/60

The UN1/101 (Fig. 1) is one of the subunits of microphone amplifier and mixer panel PA1M/60 and provides a gain-control facility for the microphone amplifier AM9/6A as well as 60-ohm and 600-ohm microphone input jacks.

The gain control has detent action and the gain is adjustable in 5-dB steps from about 20 dB to 70 dB.

JHH 11/69

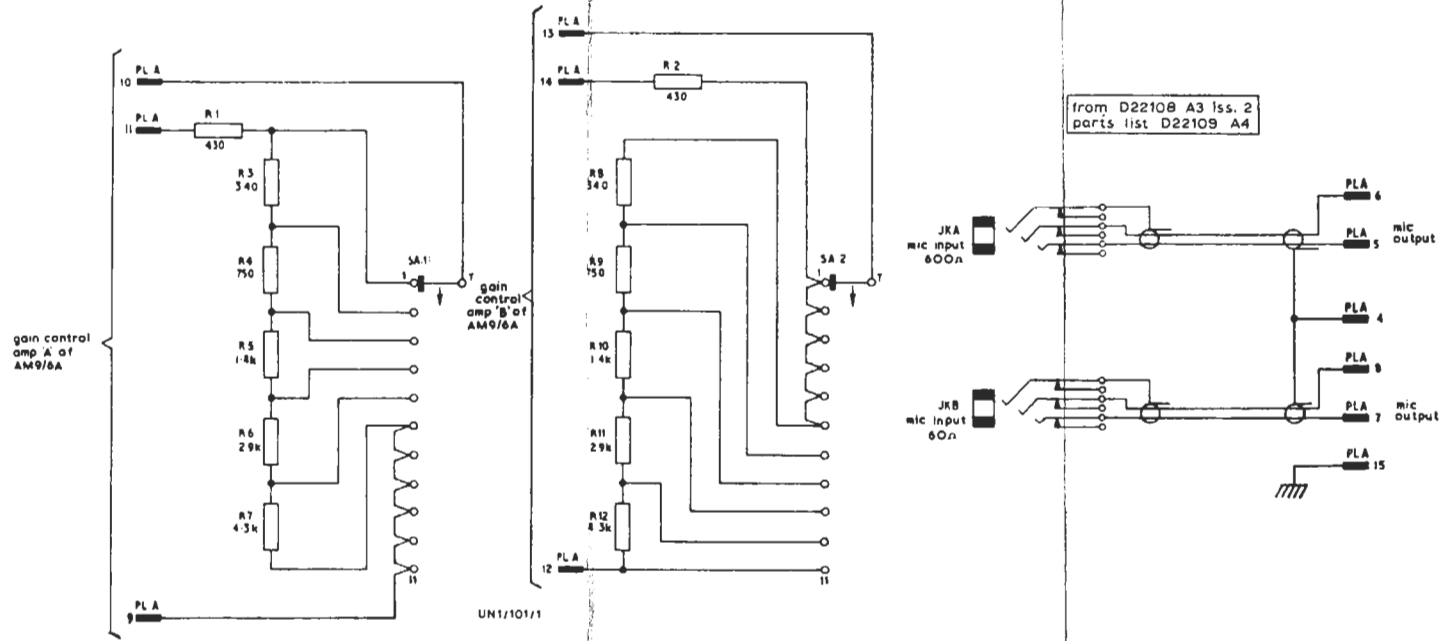


Fig. 1. Circuit of UN1/101