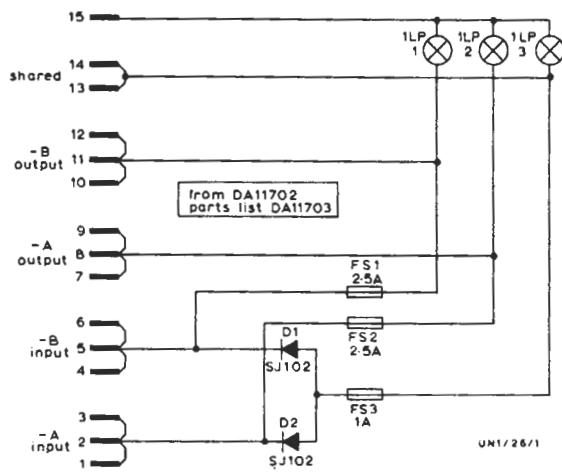


FUSE AND INDICATOR UNIT UN1/26



The UN1/26 accepts two 24-volt power supplies and produces three outputs of the same voltage. Two of the outputs correspond to the two inputs; the third output is produced by mixing the inputs via two diodes. This arrangement is used to maintain the third supply in the event of failure of one of the inputs. Fuses and indicators are provided for each output and these are mounted in a CH1/12A chassis with index pegs 2 and 25. The unit forms part of the PS2/16 Power Supplier.

The circuit diagram is given in Fig. 1.

Reference

1. Designs Department Specification No.4.41(68)

Fig. 1 Fuse and Indicator Unit UN1/26

AIB 3/71