

OVEN CONTROL PANEL UN1/38, A AND B

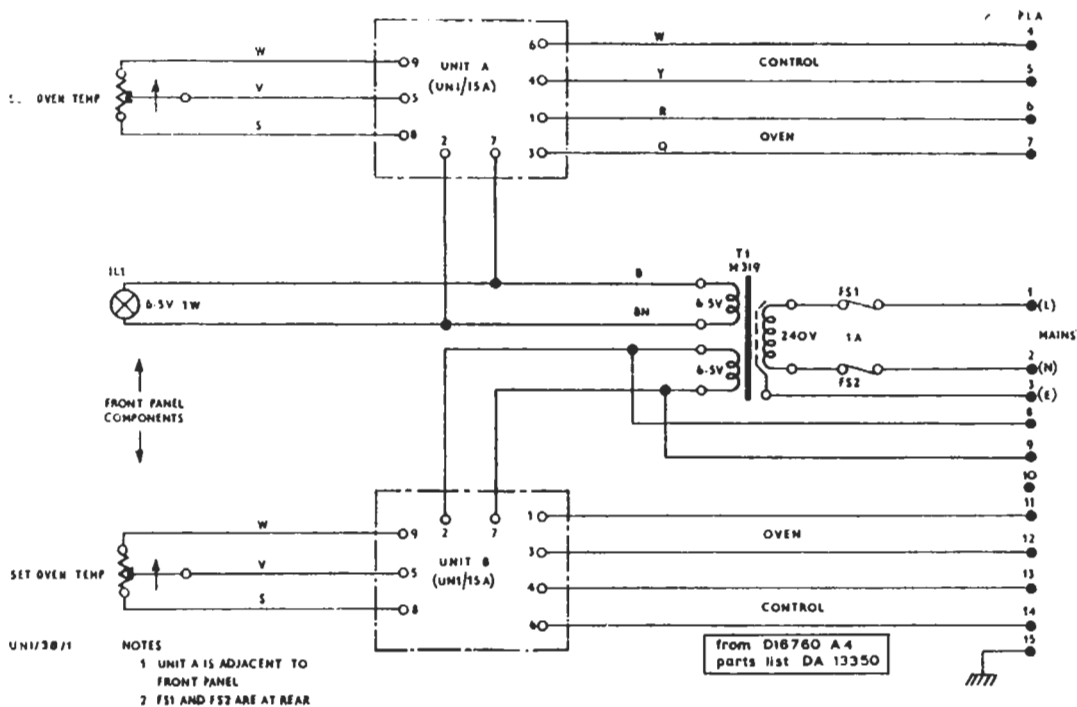


Fig. 1 Circuit of the UN1/38

The UN1/38 comprises two crystal-oven control units UN1/15A mounted together with a mains transformer on a modified CH1/27 chassis with index stud positions 10 and 15. A 240-volt mains supply is taken through two rear-panel-mounted fuses to a mains transformer which has two 6.5-volt secondaries to supply the individual UN1/15A controllers. The connection diagram is shown in Fig. 1.

The UN1/15A controllers are designated A and B. The A unit is nearest the front panel, which carries the two *Set Oven Temperature* controls (RV1 in the UN1/15A circuit). Also on the front panel is an *Oven Supply On* indicator lamp fed in parallel with the A controller.

The UN1/38A has only one controller fitted and the UN1/38B has none, but simply provides two 6.5-volt outputs on the rear socket.

AJ 1/69