

OSCILLATOR AND OVEN CONTROL UNIT UN1/48

The UN1/48 comprises an oscillator OS2/18A, an oven control unit UN1/15A together with its power supply transformer, and an unregulated 24-28 volts d.c. power supplier for use with another unit¹. All these items are on a modified CH1/27 chassis with index peg positions 1 and 6.

The OS2/18A requires a 12-volt d.c. supply from an external source while the remainder of the unit is fed from a 240-volts a.c. supply. The circuit

arrangement is shown in Fig. 1. Lamp ILP1 (*Oven Supply On*) and RV1, the *Set Oven Temp.* control for the UN1/15A, are on the front panel and the 240-volt a.c. supply fuses on the rear panel.

Reference to Typical Associated Equipment

1. Modulator and Oven Unit UN22/1

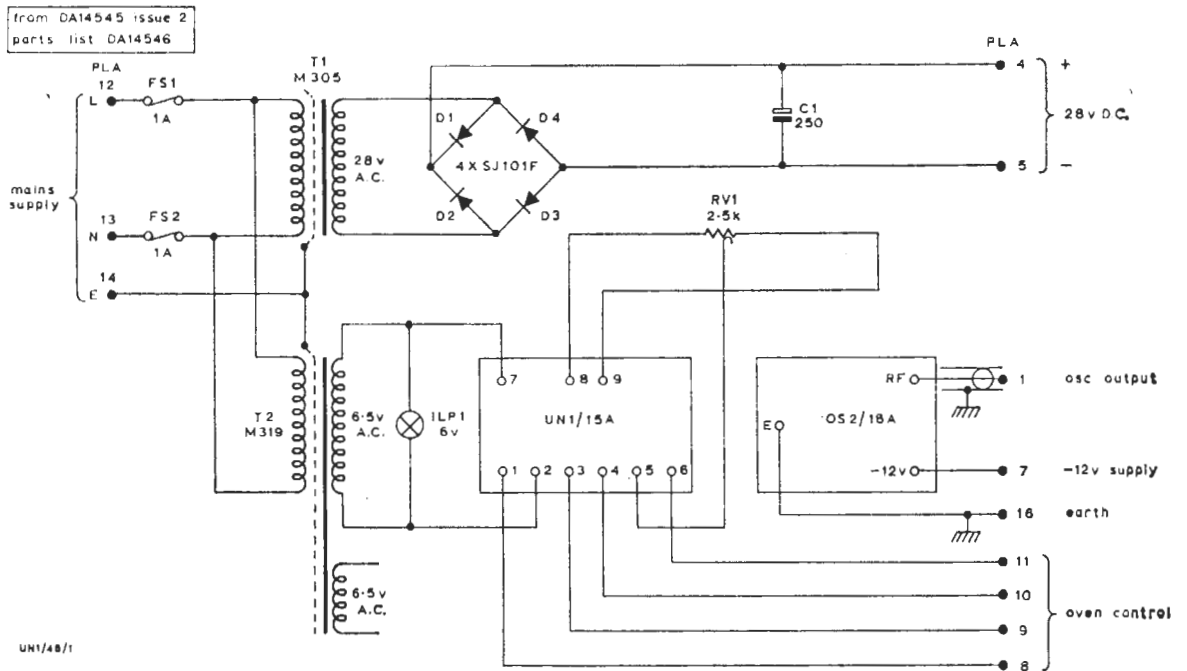


Fig. 1 Circuit of the UN1/48