

BIAS UNIT UN1/546

The UN1/546 forms part of the MD1/502 Wideband Sound and Vision Modulator and provides the bias required by the sound and vision modulators. It requires an input of sound signal and a 10-volt negative d.c. supply.

The output can be switched by means of a front-panel control to provide bias for a 625-line system (negative vision modulation with f.m. sound) or alternatively for a 405-line system (positive vision modulation with a.m. sound). For the 625-line system negative bias is provided at PLA5 for the vision modulator, bias not being required for the f.m. sound modulator. For the 405-line system the position is reversed; bias is required

by the sound modulator, to produce a full double-sideband signal, but is not required by the vision modulator.

A front-panel control is provided (RV1) for adjusting the level of the bias to the vision modulator and an internal preset control is provided (RV2) for setting the level of the bias accompanying the sound signal.

The unit is mounted in a CH1/12A chassis with index pegs 11 and 26. The circuit diagram is given in Fig. 1.

Reference

Designs Department Specification No. 4.19(65).

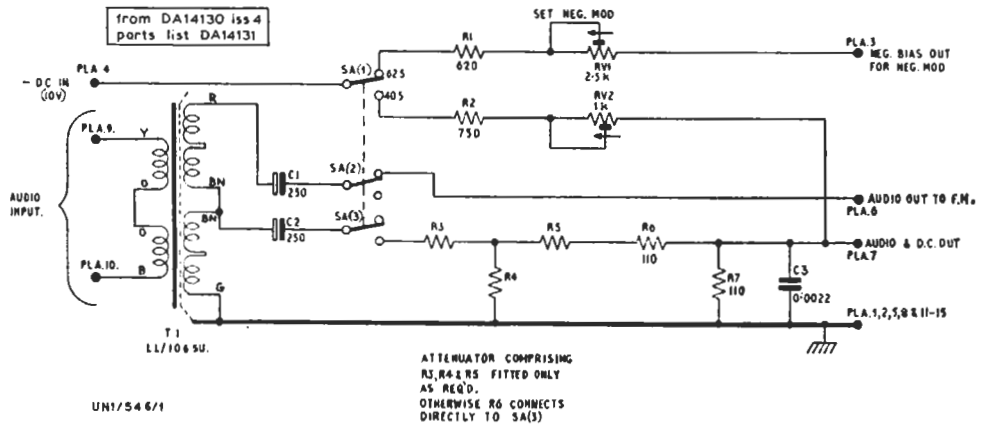


Fig. 1. Circuit of the Bias Unit UN1/546