

FREQUENCY COUNTER UNIT UN1/603

The UN1/603 is a modified RACAL Type 835 6-digit, 12.5-MHz frequency counter having frequency, period and frequency-ratio measurement facilities.

The unit forms an integral part of the Precision Subcarrier Frequency Monitor MN7M/504. Full operational and alignment details are included in that

Instruction. For circuit details of the frequency counter unit refer to the manufacturer's handbook, except where it is superseded by circuitry associated with additional printed wiring boards 1 and 2. The circuits of these are given in Fig. 1 and relevant wiring information in Fig. 2.

RDH 11/71

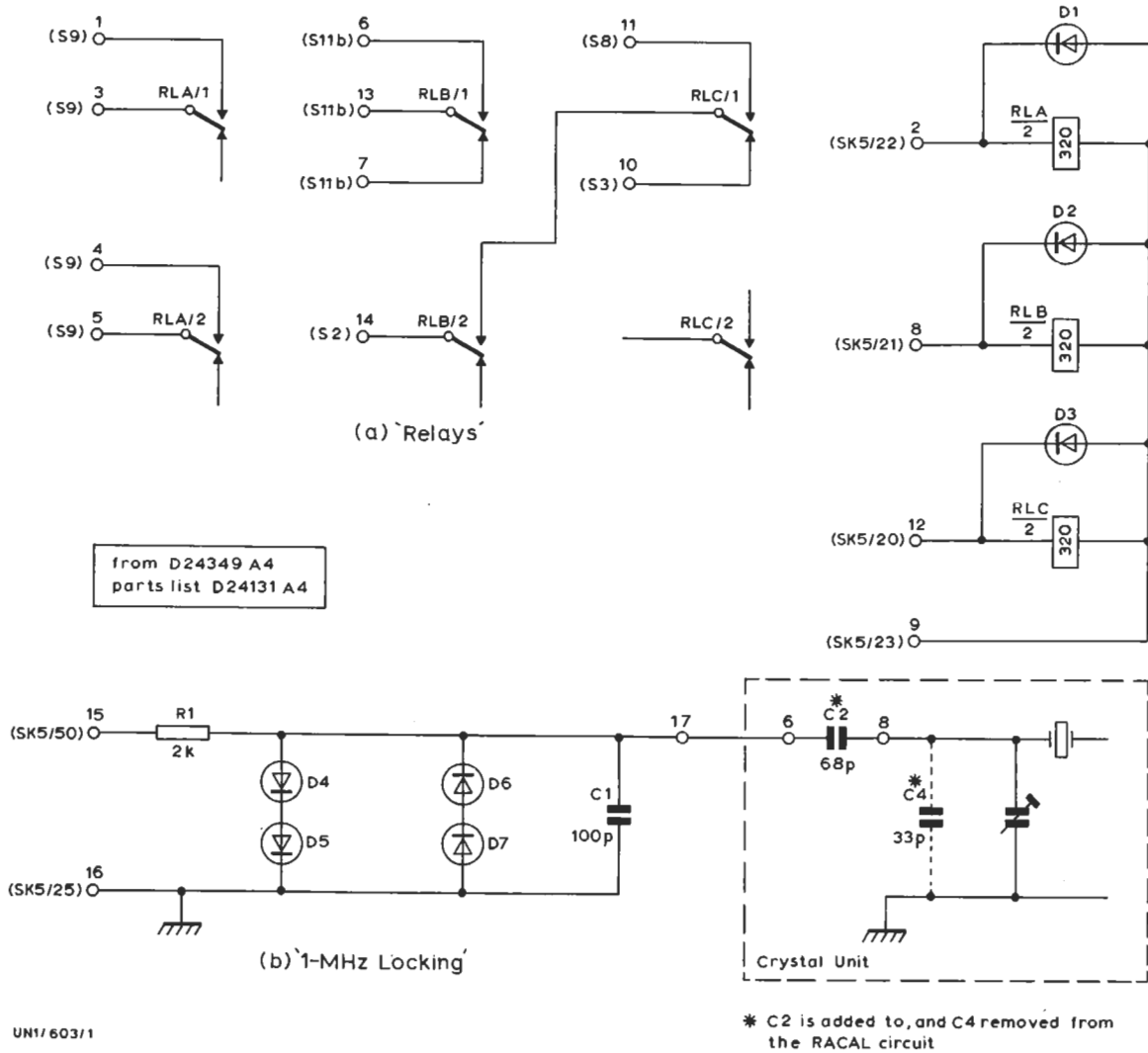
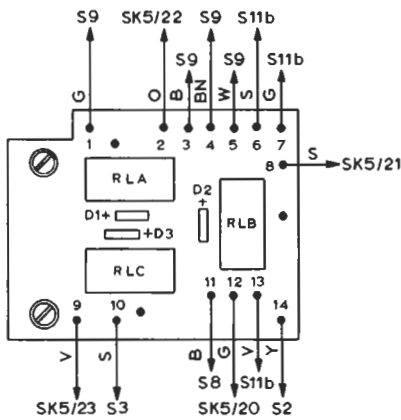


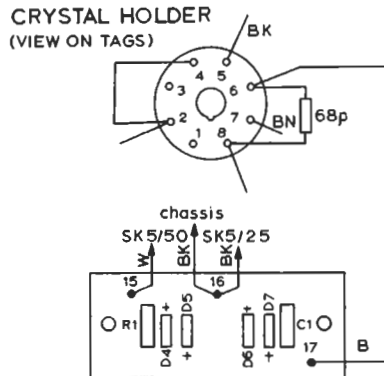
Fig. 1. Diagrams of Additional and Modified Circuitry in the UN1/603
(Brackets indicate wiring destinations)

- (a) Printed-wiring board 1
- (b) Printed-wiring board 2

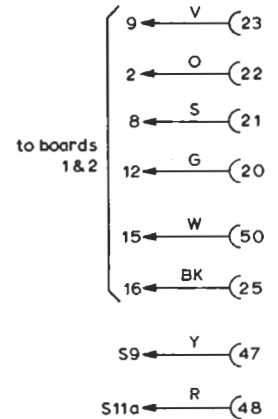
UN1/603/1



BOARD 1



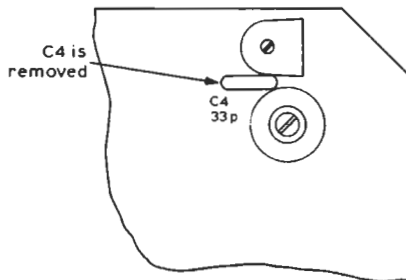
BOARD 2



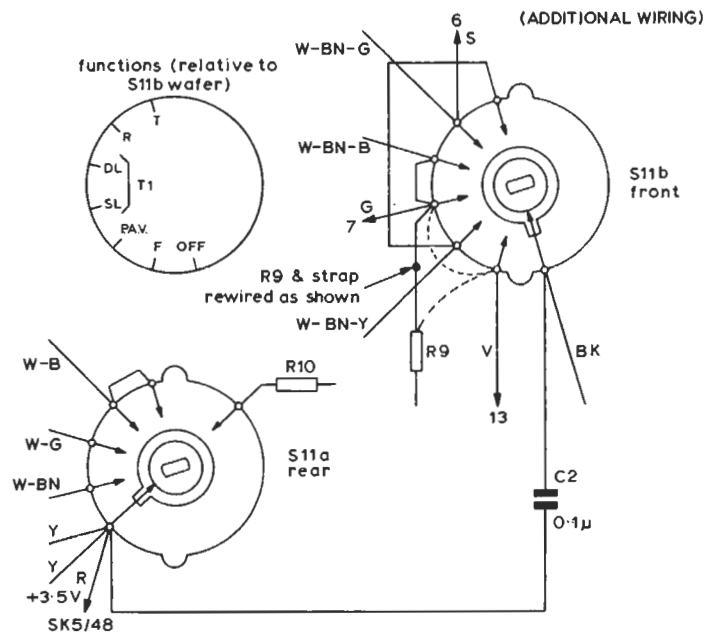
50-WAY SOCKET (SK5)
(ADDITIONAL WIRING)

All additional wiring is shown with arrowheads. Associated numbers refer to pins on boards 1 & 2

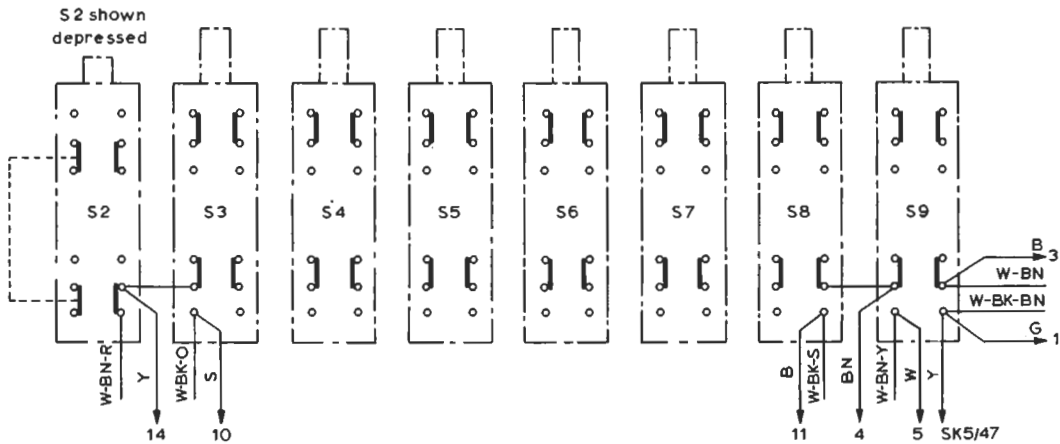
from D24132 A1



SCRAP VIEW OF BOARD IN COUNTER



S11 WIRING



S2 -S9 VIEWED FROM UNDERSIDE

UN1/603/2

Fig. 2. Modified Wiring in the UN1/603