

SWITCH ROUTING UNIT UN1/639

Introduction

The UN1/639 is used in MX1/501A O.B. Mixers which have been modified for colour-separation-overlay working. The unit accepts control signals from the PA6/507B Vision Mixer Control Panel and provides (via the Engineering Manager's preview buttons with which it is associated) control signals for (B - Y) selection and for putting the colour-separation-overlay shot on the air.

The unit consists of a printed-wiring board which carries 48 diodes and a 24-volt relay. The relay operating supply is derived from the PA6/507B panel.

Circuit Description

A circuit diagram is given in Fig. 1; the plugs and sockets which are connected by dotted lines to the circuit are located on the PA6/507B panel. See Fig. 6(a) in the Instruction on the parent mixer.

Assume that the A-bank of the mixer is on the air (RLA de-energised) and that the (B - Y) output of camera channel 1 is required for overlay purposes. When the Engineering Manager's channel 1 preview button is pressed, +24 V is routed (via contact RLA-1, diode 1D8, preview button contact 1Bb,

diode 1D4 and socket YA) to the channel-1 selector circuit on the associated UN1/640 Video Switch and Delay Unit. When the colour-separation-overlay shot is put on the air, a 'button match' (see the Instruction on the parent mixer) is achieved between the on-air and preview buttons; whereupon +24 V is routed (via diode 1D1, preview button contact 1Ab, diode 1D6 and relay contact RLA-2) to the CSO Select button on the associated PA6/507B panel.

TES 11/71

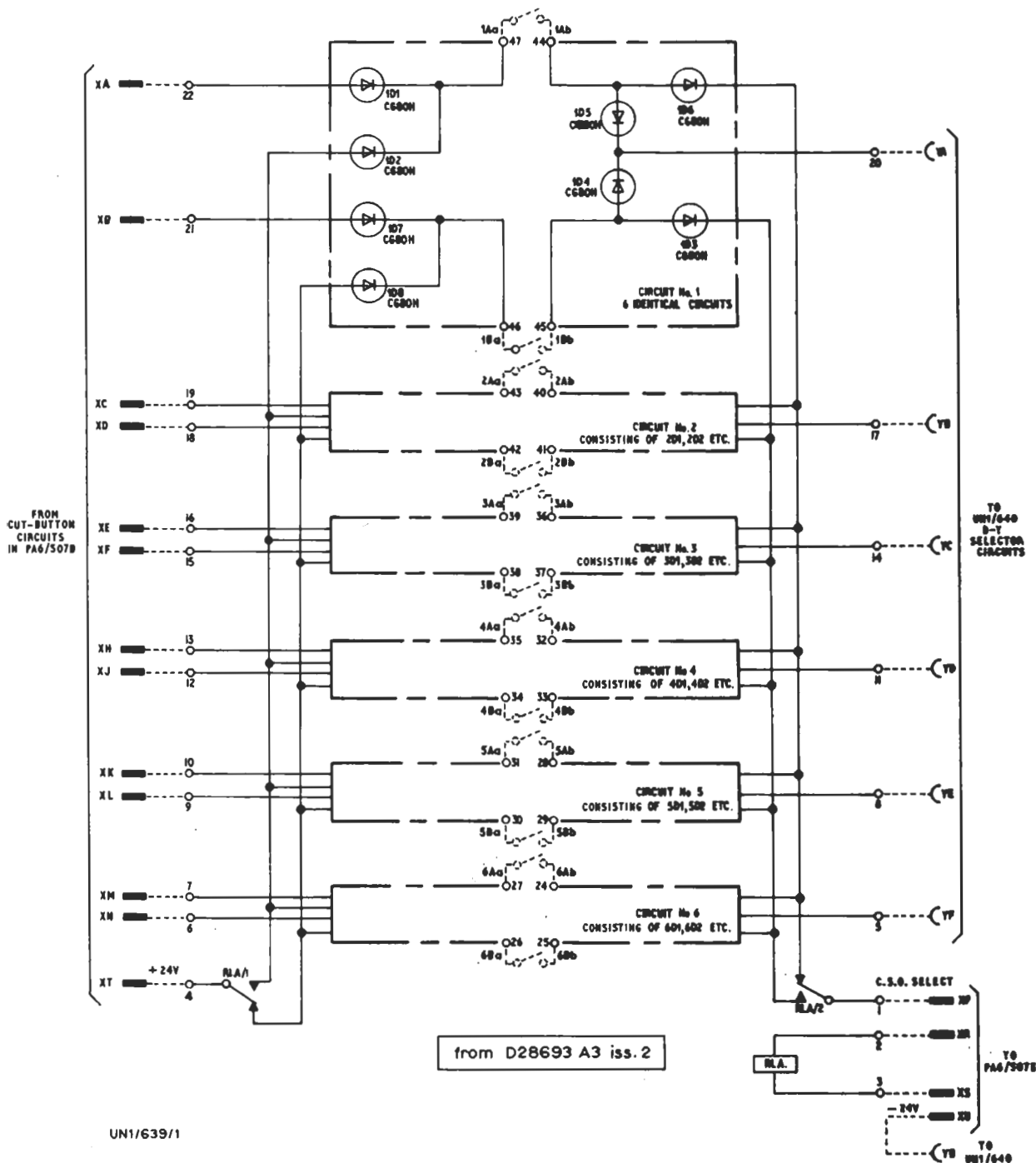


Fig.1 UN1/639: Circuit Diagram