

ISOLATING UNIT UN1/67

General

The UN1/67 is used for isolating balanced programme lines from unbalanced sources or loads.

The unit consists of two LL/106 repeating-coils mounted in a CH1/18C chassis. Two listen jacks are mounted on the front panel. The inputs and outputs of the repeating-coils are connected to a 15-way in-line plug at the rear of the chassis. The listen jacks are connected through 3-kilohm isolating resistors to the input side of the repeating-coils, as shown in Fig. 1.

The UN1/67 was first used in sound automatic monitor minor MN2M/2 to connect the processing amplifiers AM1M/16 to the reference and compared programme take-off points.

Test Procedure

1. Connect a 600-ohm 1-kHz tone-source between pins 5 and 6 and a 600-ohm resistor between pins 7 and 8.
2. With an output level of +8 dB from the tone-source, measure the level across the resistor,

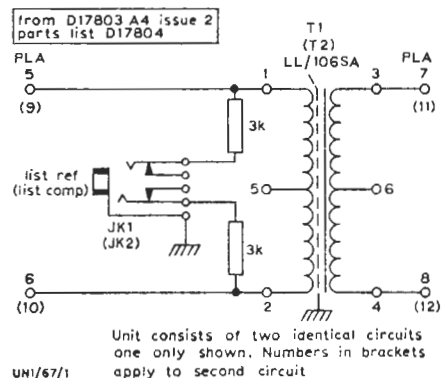


Fig. 1. Isolating Unit UN1/67

which should be 7.5 ± 0.2 dB.

3. Connect the tone-source between pins 9 and 10 and the resistor between pins 11 and 12.
4. Repeat operation 2. The result should be the same.

WWM(X) 9/68