

COMPRESSOR LIMITER MOUNTING UNIT UN1/88

General

The UN1/88 is an auxiliary panel in the Type-D range, and it accommodates two Pye Type-4060 compressor limiters, which fit into the mounting without modification. It also contains a transistor stabiliser circuit providing a 16-volt supply from the general 24-volt desk supply, and this circuit can supply the current for either one or two compressor limiters without adjustment.

The unit is constructed from a CH1/37C chassis having overall dimensions of 7 by 6 ³/₈ by 10 ¹/₂ inches.

Circuit Description (Fig. 1)

The supply circuit is a simple series regulator whose output voltage may be adjusted for a given load by varying the base resistor R1. The 24-volt supply is also taken direct to the compressors for the scale lamps.

Test Procedure

Apparatus Required:

- 24-volt stabilised supply at 0.5 amp
- 40-ohm 10-watt resistor
- Avometer Model 8

1. Connect the 40-ohm resistor to pins 15 and 16 of either compressor socket, with the voltmeter on its 25-volt range, in parallel.
2. Apply 24 volts to the UN1/88 plug, pins 6 (negative) and 18. Adjust R1 so that the output voltage is between 15.5 and 16 volts.
3. Remove the 40-ohm load resistor. The rise in output voltage should not be greater than 1.6 volts.

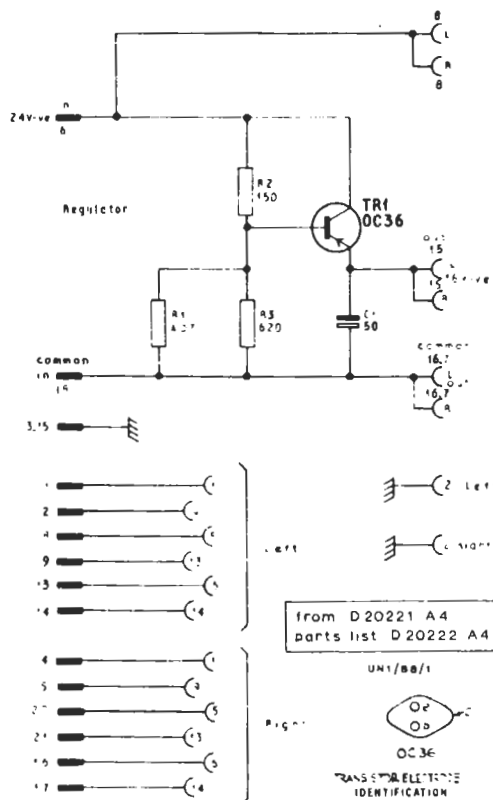


Fig. 1. Circuit of the UN1/88

WWM(X) 7/71