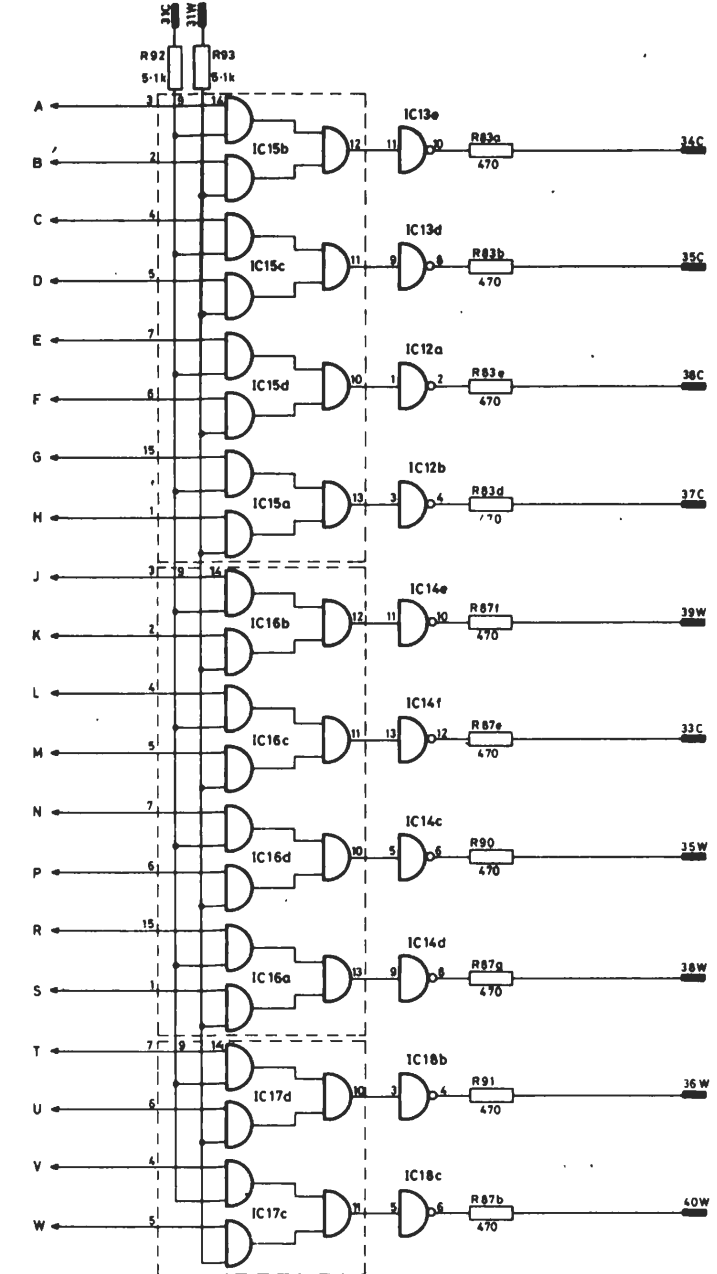
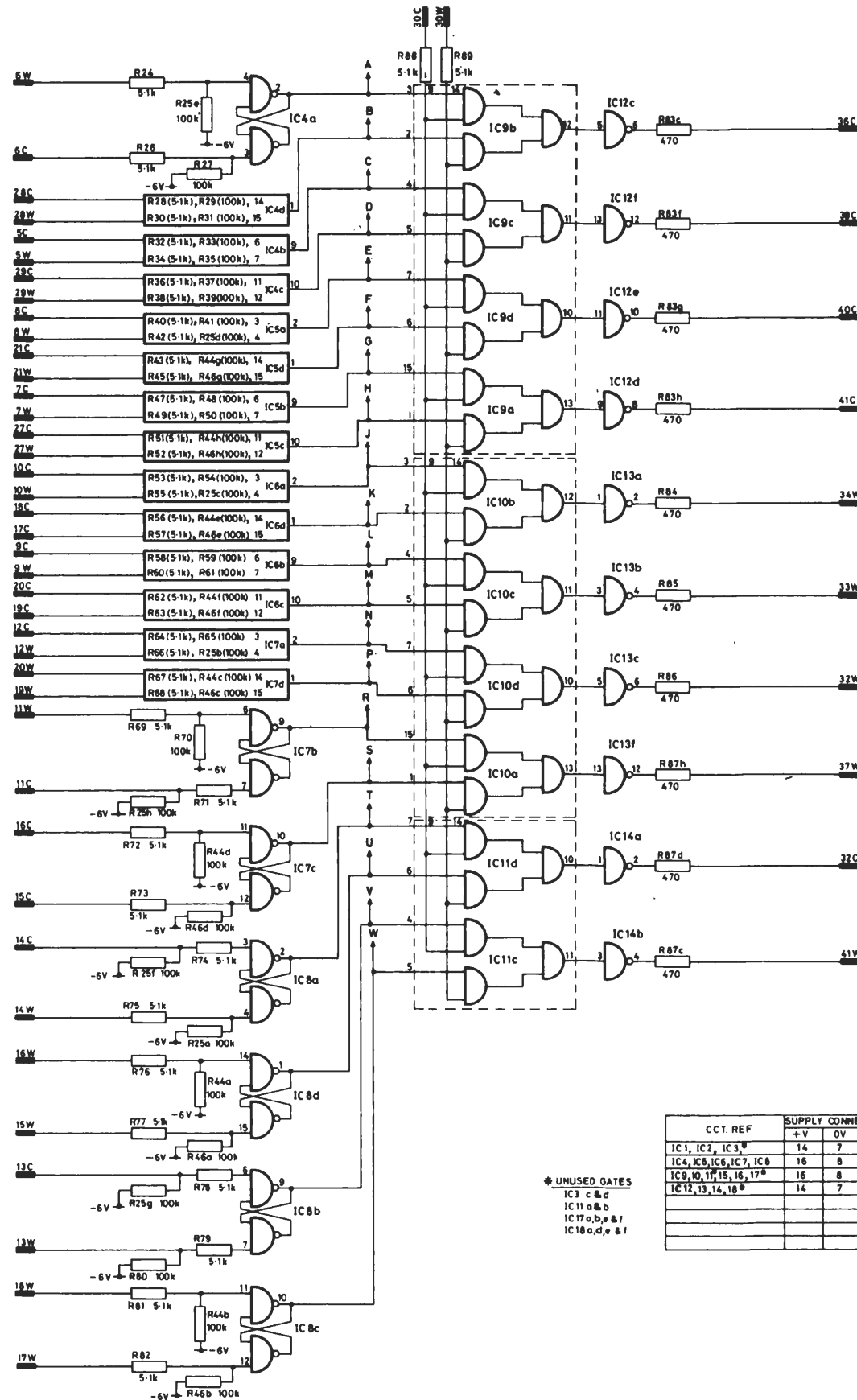
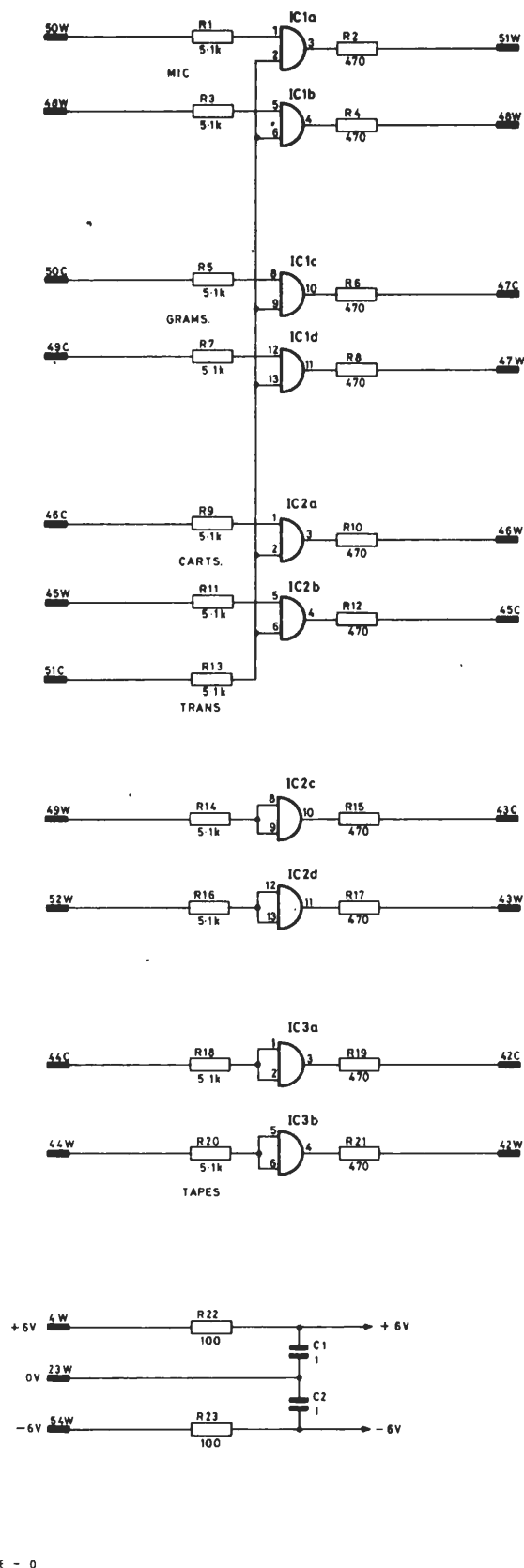
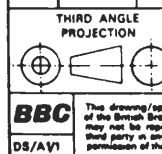


D51507A1



CCT. REF	SUPPLY CONNECTIONS			No OFF PARTS	TYPE
	+V	0V	-V		
IC1, IC2, IC3*	14	7		4	MOS/DIC4081BN
IC4, IC5, IC6, IC7, IC8	16	8		4	MOS/DIC4043BN
IC9, IC10, IC11, IC12, IC13, IC14, IC15, IC16, IC17*	16	8		4	MOS/DIC4019BN
IC12, IC13, IC14, IC18*	14	7		6	MOS/DIC4069BN
* UNUSED GATES					
IC3 c & d					
IC11 a & b					
IC17 a, b, e & f					
IC18 a, d, e & f					

SCALE - 0



THIRD ANGLE PROJECTION

ORIGINAL FRAME SIZE  
574mm x 821mm

CHANGE  
7-10-81

BBC  
DS/AV

The drawings/specification is the property of the British Broadcasting Corporation and may not be reproduced or disclosed to a third party in any form without the written permission of the Corporation.

Parts list: D51508A4

CLEAN FEED SWITCHING CONTROL UNIT CIRCUIT UN23/140

All dimensions in millimetres unless otherwise stated  
Normal tolerances  
no decimal places  
one decimal place  
two decimal places

DRN	ILL	DESIGNS DEPARTMENT
TCD	LL	D51507A1
CKD		
APPD		

© H L T LONDON