

SINGLE CHANNEL SWITCH UNIT UN9/509

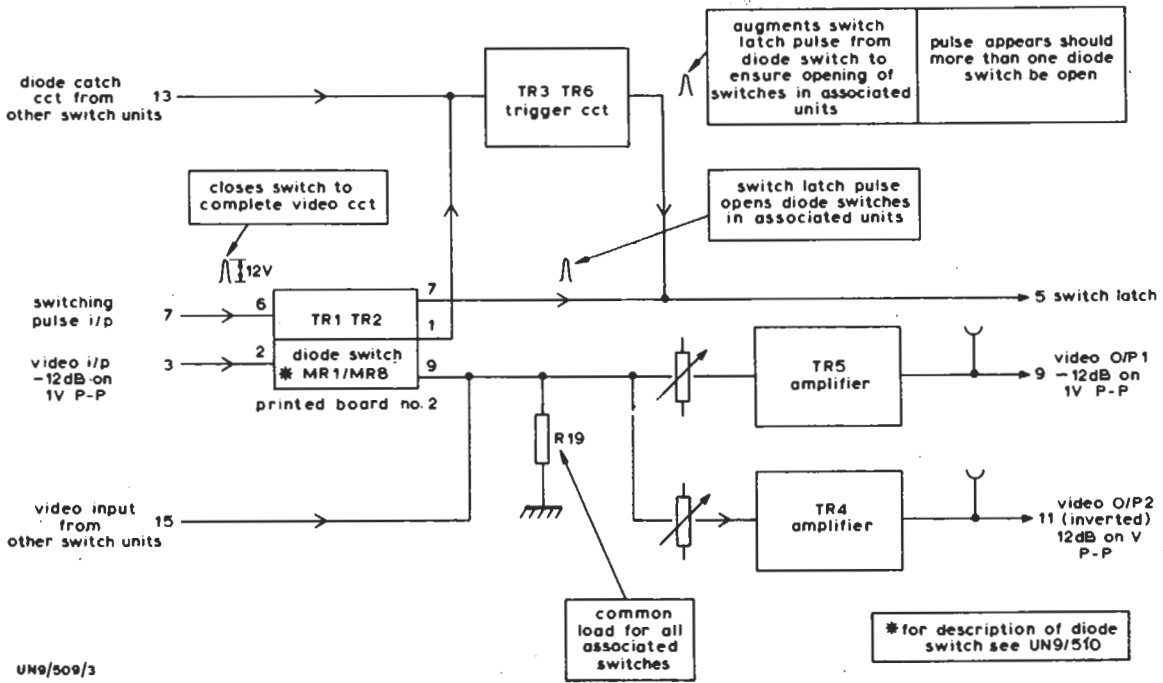


Fig.1 UN9/509: Block Diagram

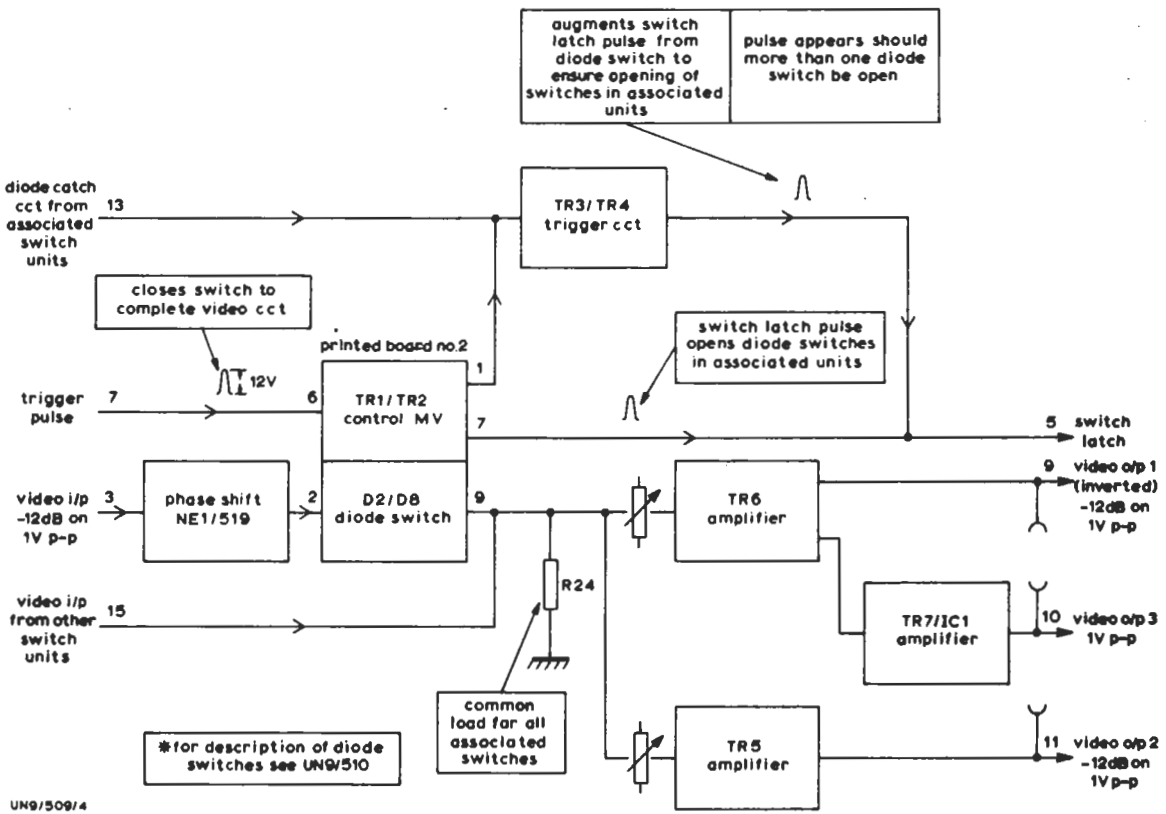


Fig.2 UN9/509A: Block Diagram

The UN9/509 switch unit normally forms part of a cut/fade amplifier¹. It accepts two video inputs one of which passes through a diode switch controlled by an input of positive going switching pulses. It provides two outputs, one of which is inverted. The UN9/509A is basically similar but is intended for colour working and has an additional video output.

The unit uses a CH1/12A chassis with index pegs 3 and 10.

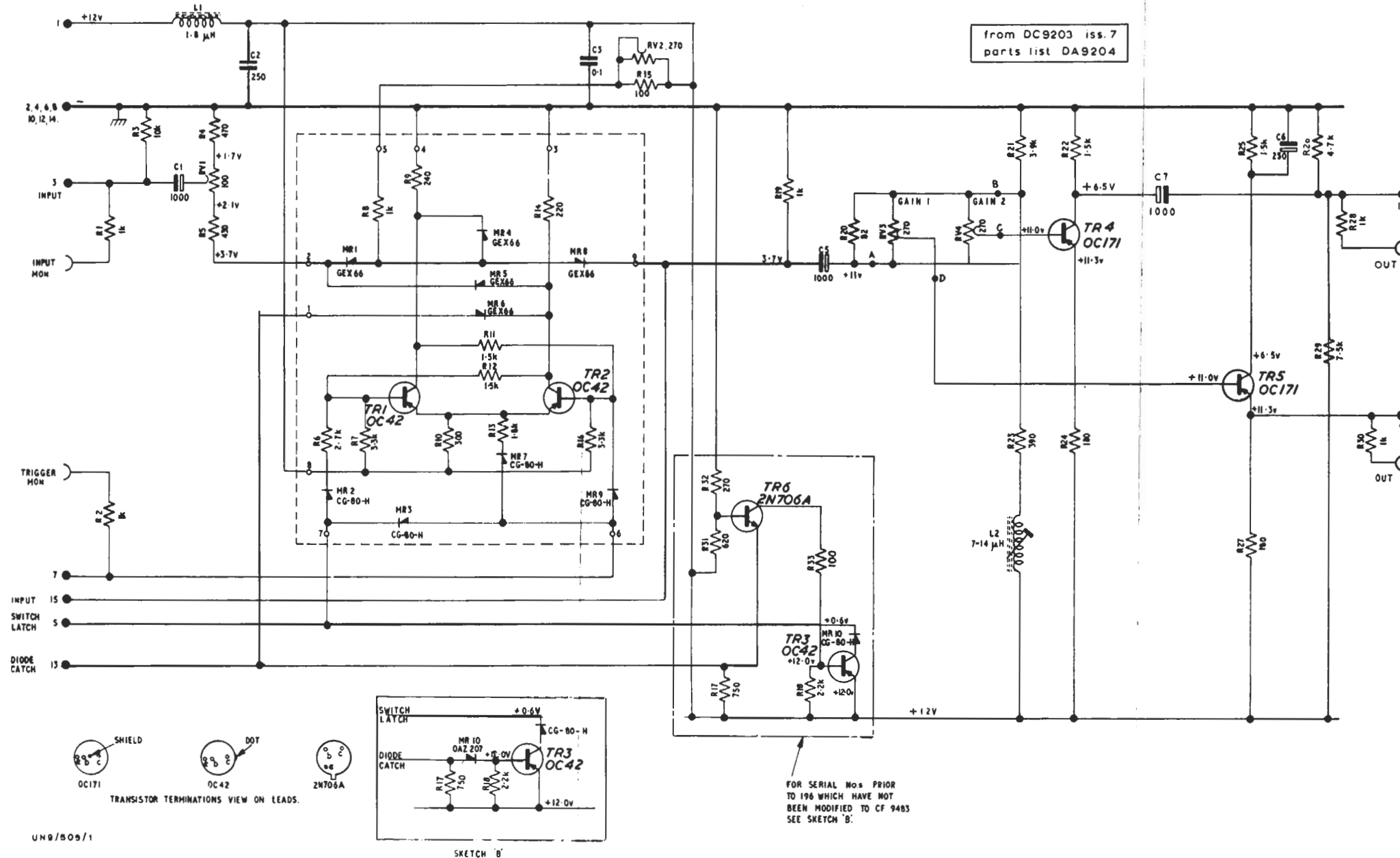
The operation of the units can be seen from the block diagrams, Fig. 1 and Fig. 2. Both video inputs

cannot be present together under normal conditions due to the action of the diode catch circuit. Complete circuit diagrams are given in Fig. 3 and Fig. 4. Routine maintenance is not required. The preset gain controls are adjusted with the unit in position in the parent unit¹.

References

1. Cut Fade Amplifier AM1/504
2. Designs Department Specification No.8.67(62)

AIB 1/72



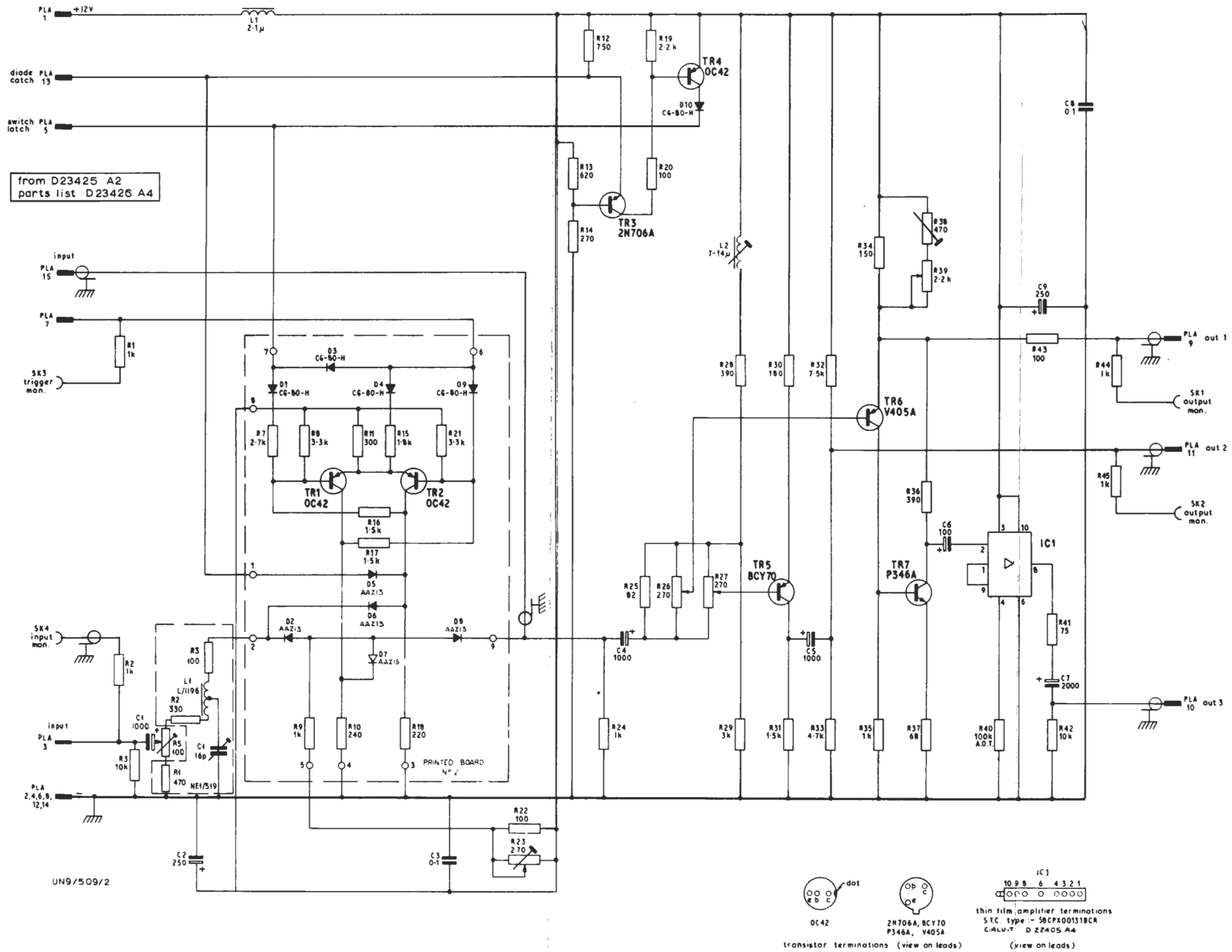


Fig.4 UN9/509A: Circuit Diagram