

VIDEO SOURCE SWITCHES UN9/512 SERIES

The UN9/512 accepts two video signal inputs one of which is selected by means of relay contacts: the output is the selected input signal delayed by 0.6 μ s. The UN9/512A is a single-input version.

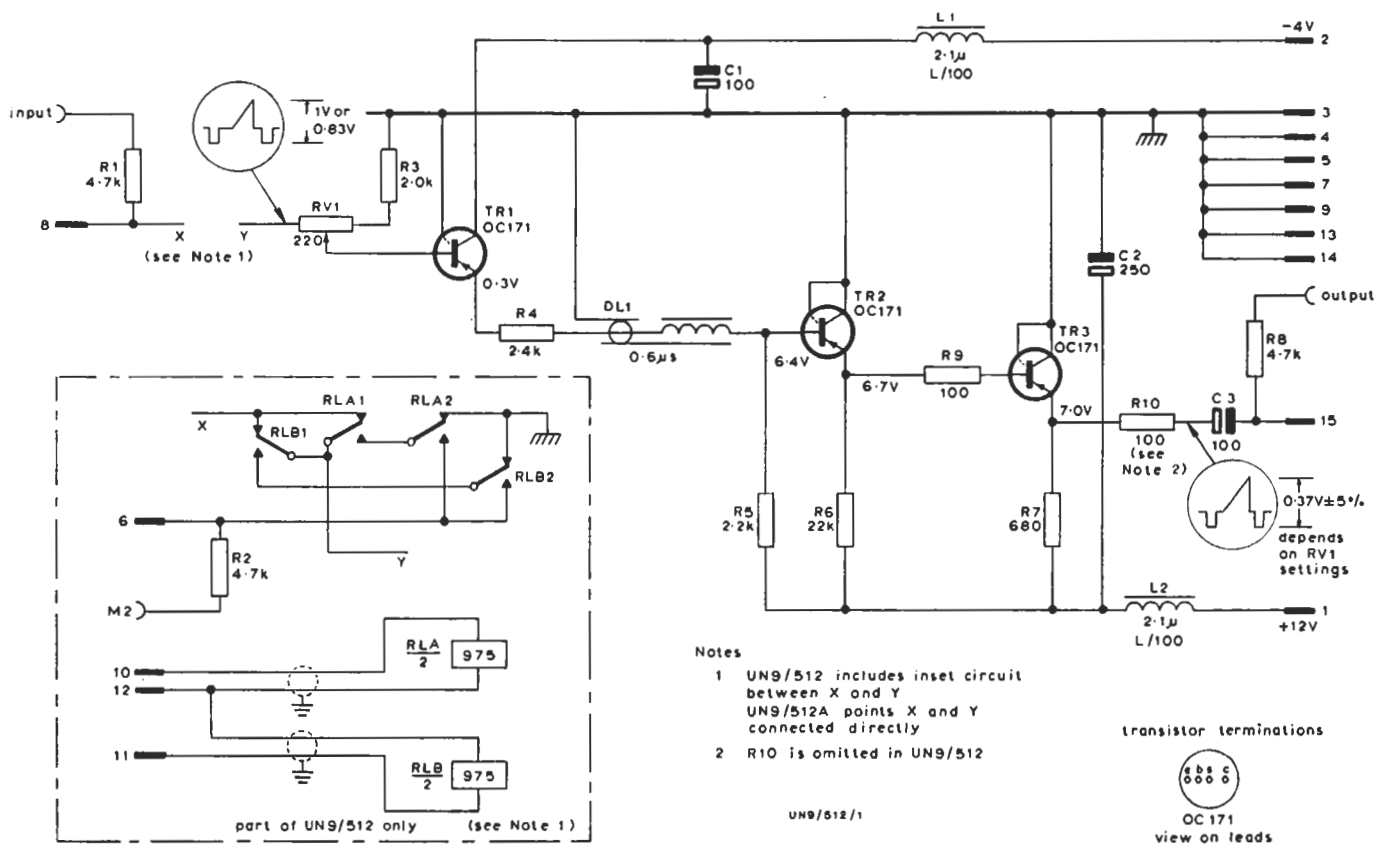
The circuits of the UN9/512 and the UN9/512A,

given in Fig. 1, include three emitter followers. The basic loss of this circuit is 7 dB.

The UN9/512 is constructed on a CH1/12A chassis with index-peg positions 3 and 22.

MJR 7/68

See overleaf for Fig. 1



- Notes
- 1 UN9/512 includes inset circuit between X and Y
UN9/512A points X and Y connected directly
 - 2 R10 is omitted in UN9/512

Fig. 1 Circuit of the UN9/512