

VIDEO SWITCH UNIT UN9/519

This unit switches a video signal between two alternative paths. Two identical output signals are provided by means of a splitting network. The circuit is shown in Fig. 1.

When the switching relay is not operated the signal path is through a 75-ohm delay cable, which is connected between plugs PLB and PLC, and through a standard equaliser section type EQ5/510

When the relay is operated a 6-dB attenuator pad is substituted for the delay cable and equaliser. See also EP5/502.

The unit is mounted on a non-standard chassis similar to that used for the EQ5/510 and index pegs are not used.

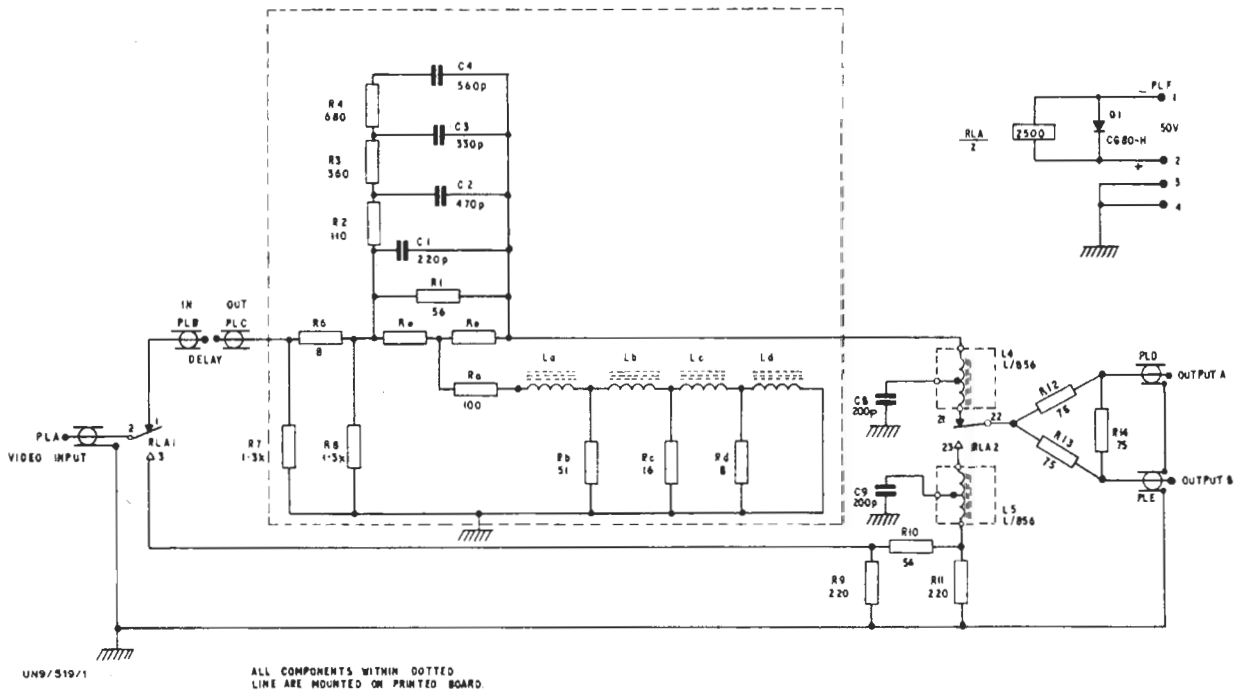


Fig. 1 Circuit of the Video Switch Unit UN9/519