

## SECTION 24

### VIDEO SWITCH UNIT UN9/524

This relay unit, whose circuit is given in Fig. 24.1, accepts three video input signals and a test signal and distributes them between three video output circuits. Switching is carried out by internal relays which are operated from an external 50-volt supply. One of the outputs is passed through a splitting network to obtain two identical outputs (*Out 1* and *Out 2*).

Inputs 1 and 2 are interchanged between outputs 1 and 3 by the operation of relays RLA and RLB.

The test, or line-up, waveform can be routed by means of relay RLC to outputs 1 and 2 without affecting output 3.

Output 4 is fed normally from the same circuit as outputs 1 and 2 but, when the test signal is in use, this output is connected directly to the third input plug by the operation of relay RLD.

The unit is constructed on a CH1/12A chassis without index pegs. See also EP5/502, Instruction V.15.

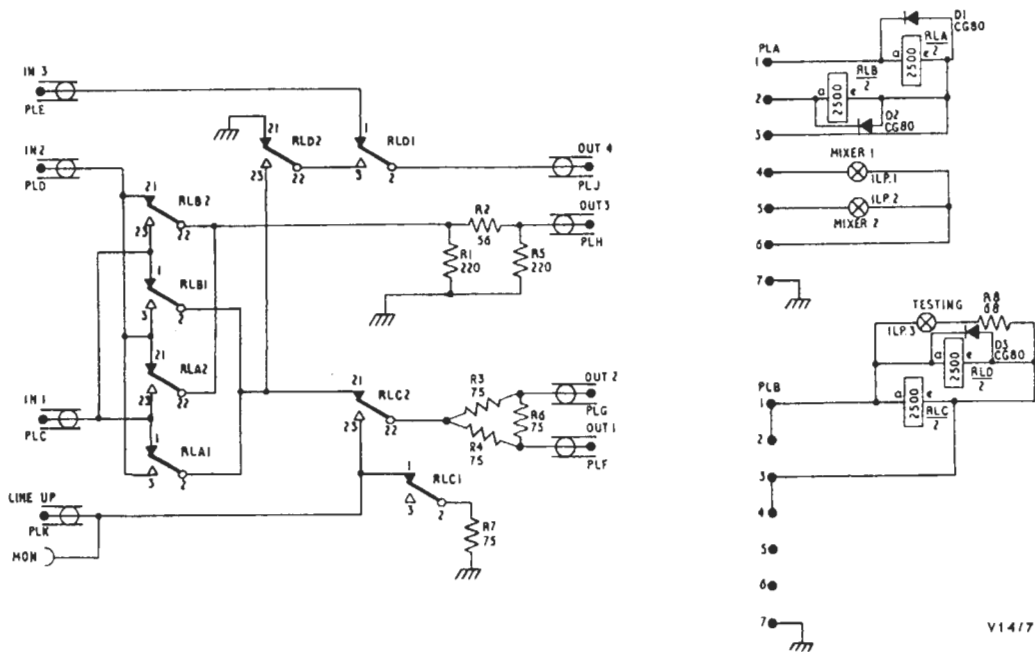


Fig. 24.1 Circuit of the Video Switch Unit UN9/524