

SECTION 25

LOCAL CONTROL UNIT UN9/525

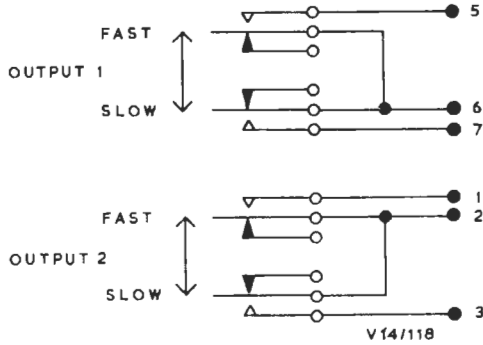


Fig. 25.1 Circuit of the UN9/525

The Local Control Unit UN9/525, as used in a Drive Unit GE1/517 (Instruction V.10), provides switching potentials to a Variable Divider CO2/506 (Instruction V.9) to vary its counting ratio. The circuit diagram of a UN9/525 is given in Fig. 25.1.

The UN9/525 is constructed on a CH1/12A chassis with index peg positions 7 and 17.

MJR 9/66