

## SECTION 35

### BYPASS SWITCH UNIT UN9/535

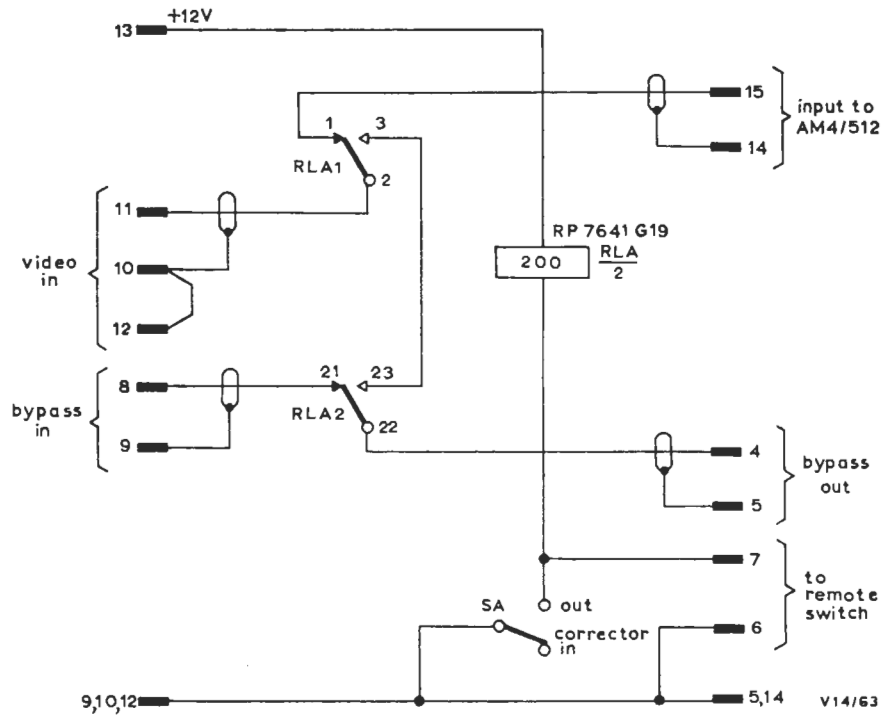


Fig. 35.1 Circuit of the UN9/535

The UN9/535 is a manually switched relay unit which requires an external power supply. It is used in a Vertical Aperture Corrector EPI/504 (see

Instruction V.15).

The UN9/535 is constructed on a CH1/12A chassis with index peg positions 15 and 25.

MJR 11/66