

INPUT HIGH-SPEED SWITCH SUPPLY UN9/558

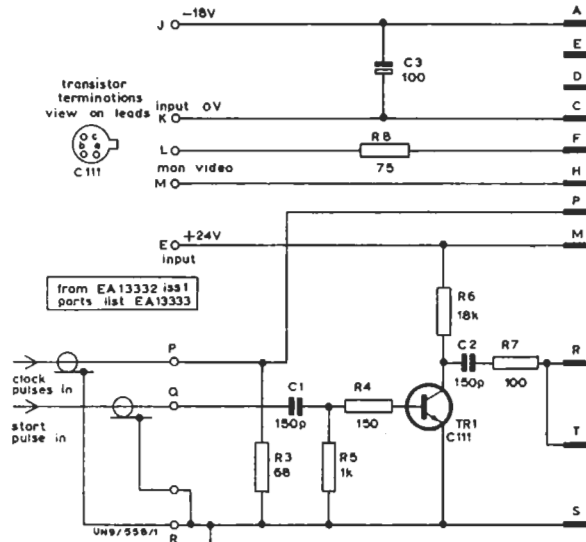


Fig. 1 Circuit of the UN9/558

The UN9/558, the circuit of which is given in Fig. 1, is used to connect an input cableform carrying pulses and power supplies to a ring of associated high-speed switches. The UN9/558 is constructed on a printed wiring card 4 inches by 3 inches.

MJR 10/68