

### TONE SWITCH UNIT UN9/571

#### General Description

The UN9/571 produces d.c. signal at  $-3$  volts  $\pm$   $0.5$  volts and  $-6$  volts  $\pm$   $0.5$  volts which simulate the error signals generated in the Natlock sync-timing and subcarrier phase comparators.

The d.c. signals are derived from a standard PS2/22B Regulated Power Supply which is housed with the rest of the unit in a single CH1/12A chassis with index-peg positions 29 and 37. The d.c. signals are manually switched to the output terminals.

A regulated 12-volt supply at up to 400 mA is available from the unit for powering other items of equipment. The positive terminal of the supply is connected to chassis.

Fig. 1 shows the circuit of the unit.

#### Test Procedure

The UN9/571 is tested as part of the parent equipment typically EPI4/503

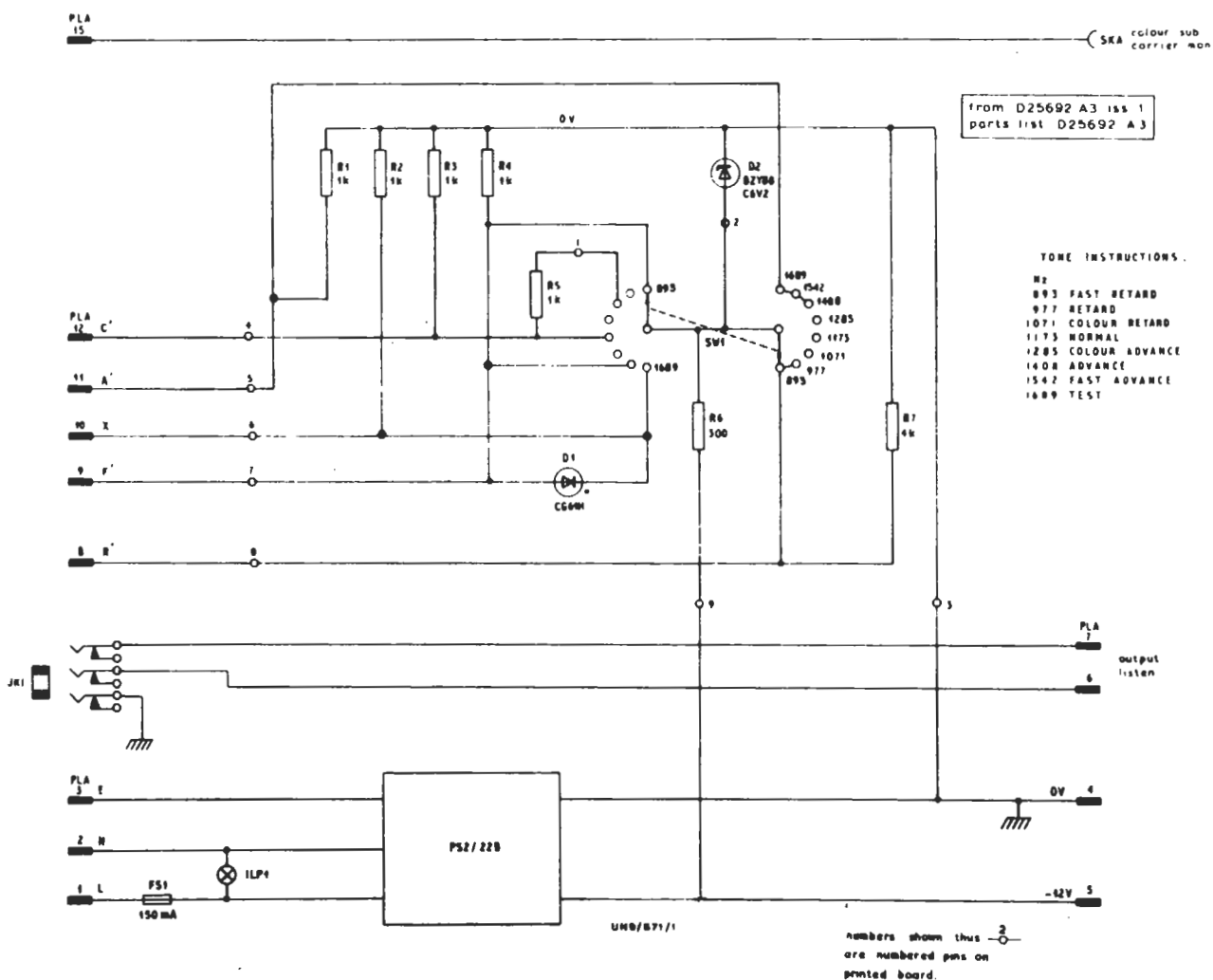


Fig. 1. Circuit of the Tone Switch Unit UN9/571