

TELEPHONE SWITCH UNIT UN9/7

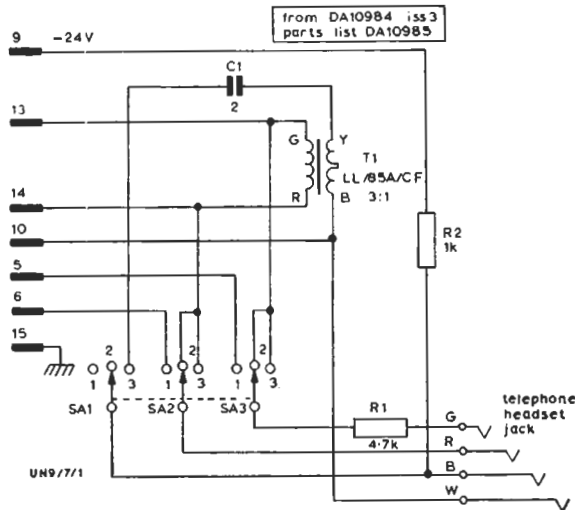


Fig. 1. Circuit of UN9/7

This unit forms part of constant volume speech amplifier AM1/6. The circuit is shown in Fig. 1. The UN9/7 carries a three-position rotary switch giving the following facilities:

- Position 1:* Listen at output of AM1/6,
- Position 2:* Listen across line (without impairing transmission),
- Position 3:* Listen on line and talk to both speakers at the ends of the line.

This unit is on a chassis CH1/18C with index peg positions 1 and 17.

JMC/JHH 11/69