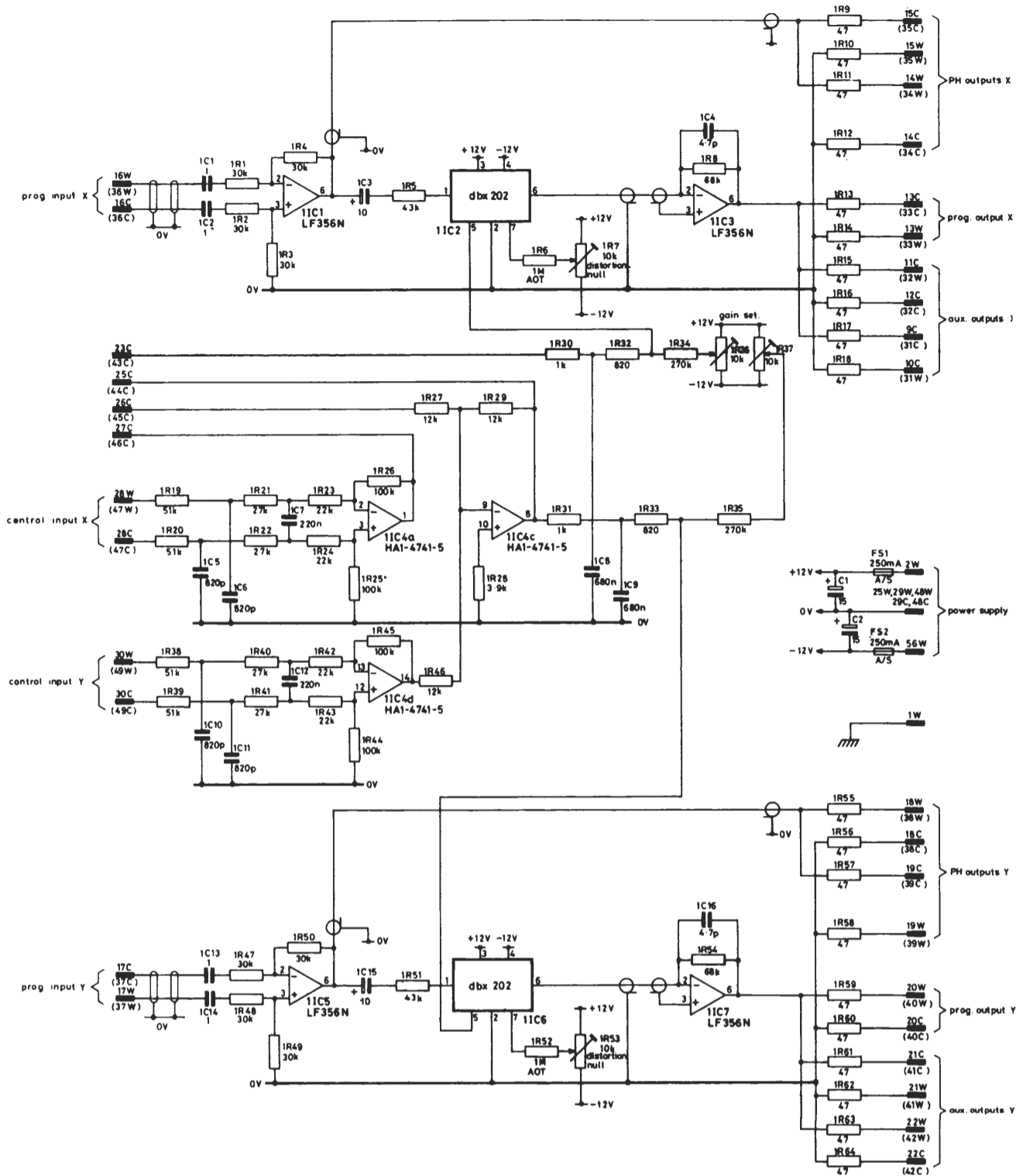
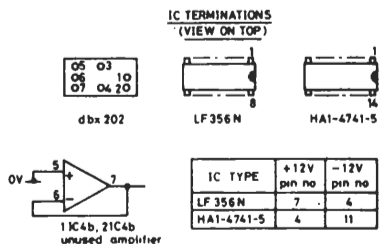


BBC
 12-2-80
 29-2-80
 25-9-80
 26-2-81



circuit 2 identical to that shown above, except :-
 circuit 2 comprising 2R1 - 2R64, 2IC1 - 2IC7,
 2C1 - 2C16
 plug blade numbers are those shown in brackets ie.(34C)



AMS/31 dbx V.C.A. CARD CIRCUIT
 DESIGNS DEPARTMENT
D46809A1
 PORTS LIST D46809A1