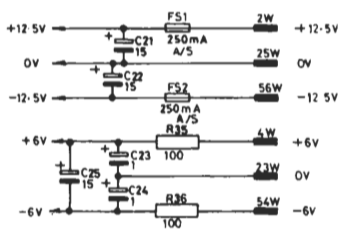
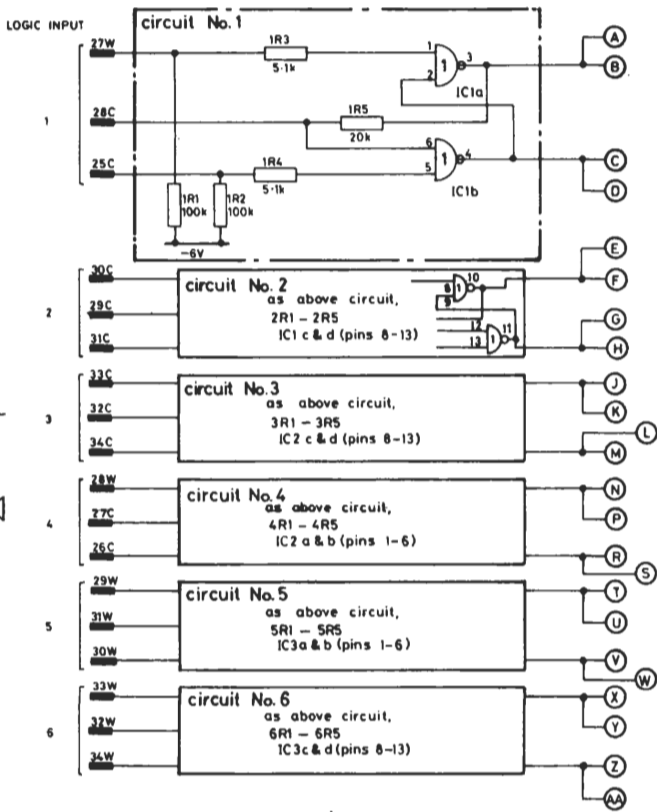


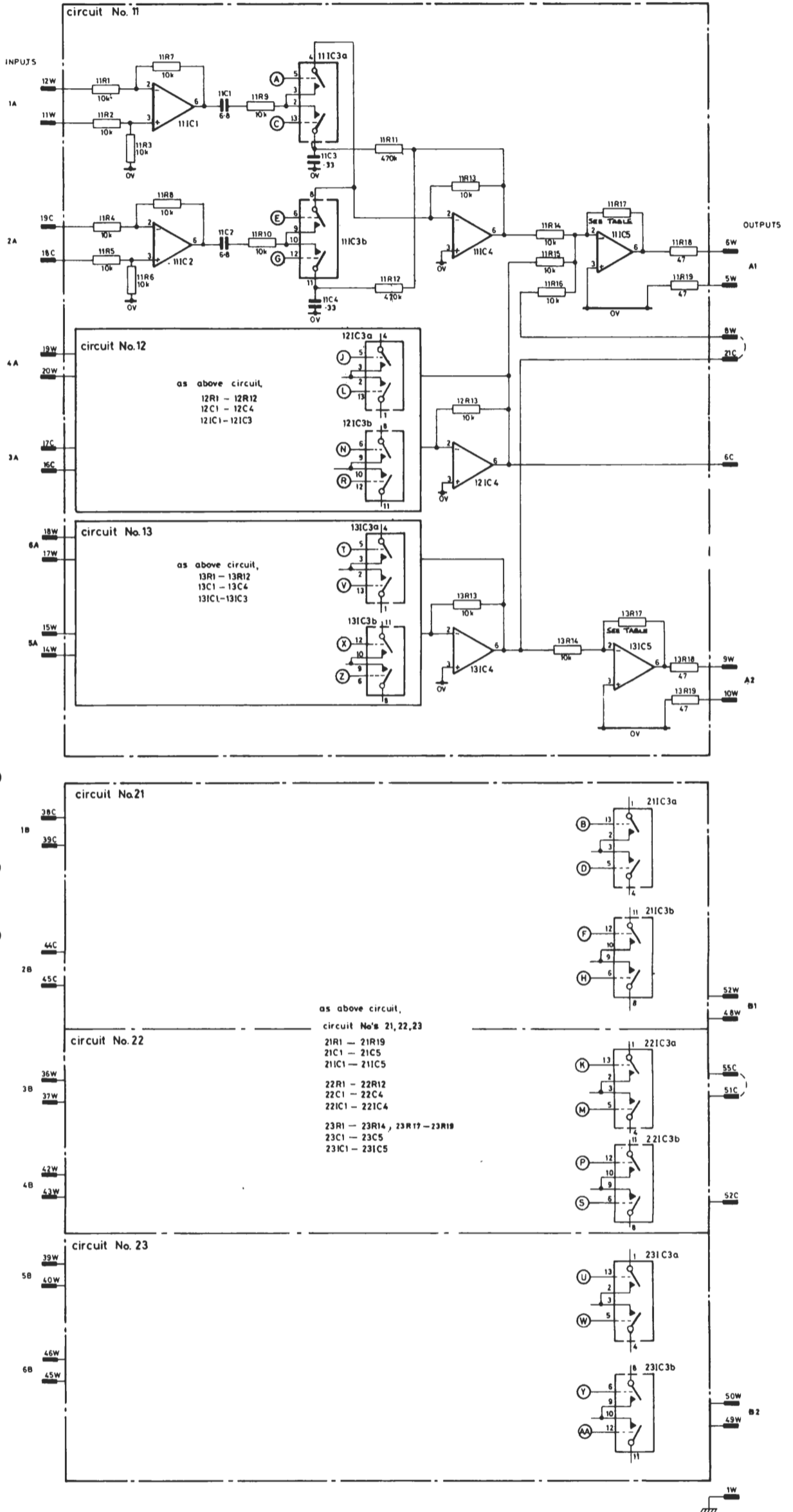
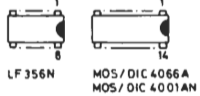
RESISTOR VALUE VARIATIONS

RESISTOR	SE2/11	SE2/11A
11R1-11R3	10k	3548.0
11R4-11R6	10k	3548.0
11R7-11R9	10k	3548.0
11R10-11R12	10k	3548.0



CCT REF No	SUPPLY CONNECTIONS			No OF PARTS	TYPE
	+12.5V	0V	-6V		
1C1, 2, 3				4	MOS/DIC 4001AN
11C12A, 12C12A, 13C12A	7	4		1	LF 356N
11C13, 12C13, 13C13			14	7	MOS/DIC 4066A
11C15, 12C15, 13C15	7	4		1	LF 356N

IC TERMINATIONS (VIEW ON TOP)



PARTS LIST D46017A1

<p>D 46017A1</p>	DESIGN DEPARTMENT	APPD	CCK	TCD	DRN
	<p>SE 2/11 & A A.F. SWITCH CIRCUIT</p>				
	<p>11R1-11R19, 12R1-12R12, 13R1-13R12, 21R1-21R19, 22R1-22R12, 23R1-23R12, 23R17-23R19, 23C1-23C5, 23C11-23C15</p>				
	<p>REVISION: As per Table of 12th</p>				