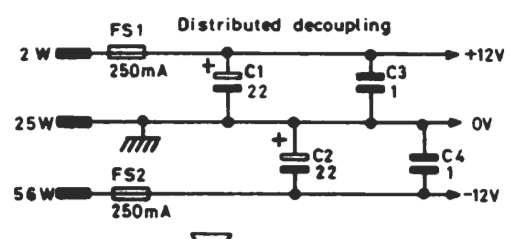
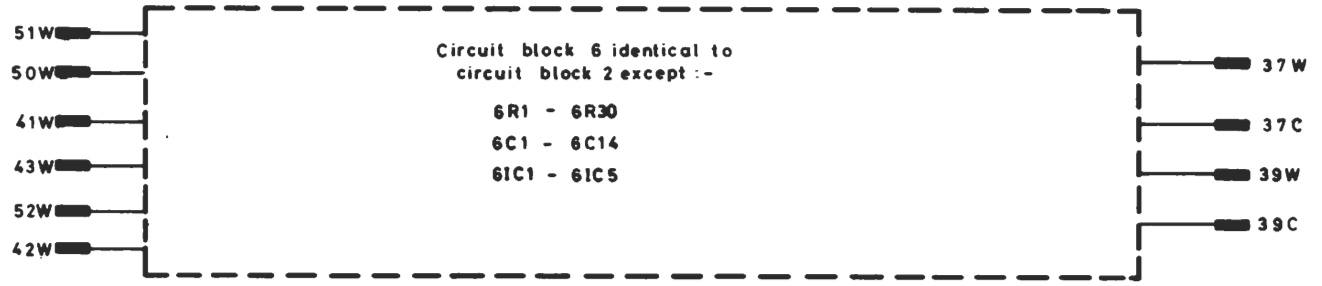
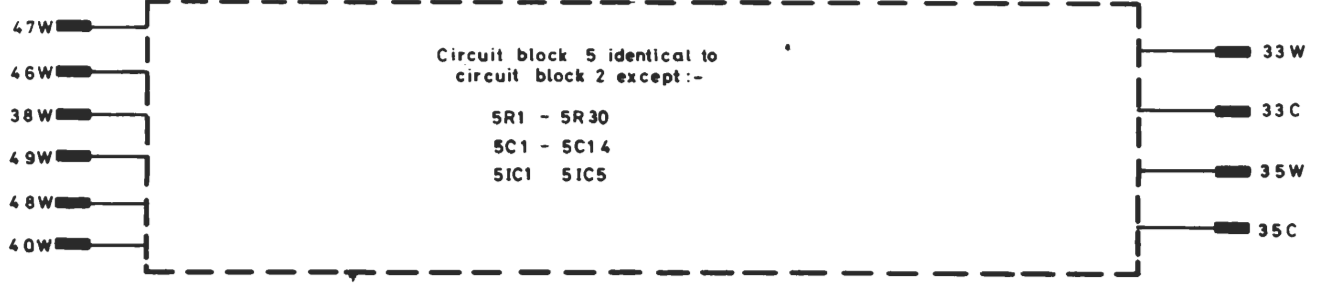
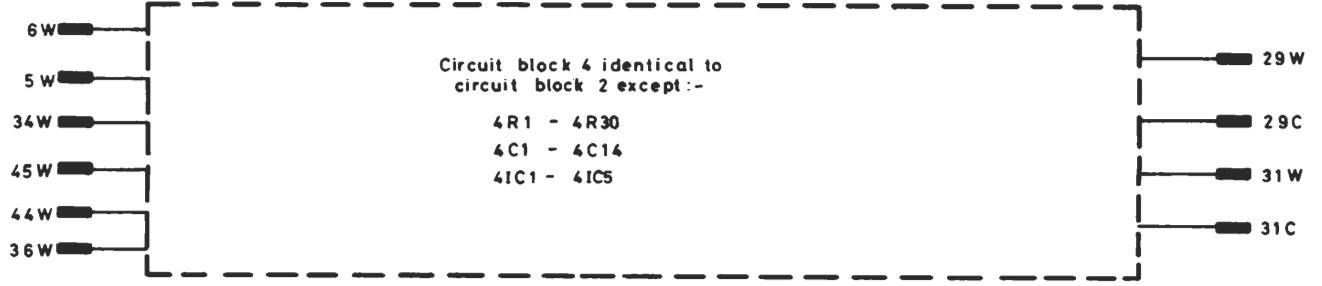
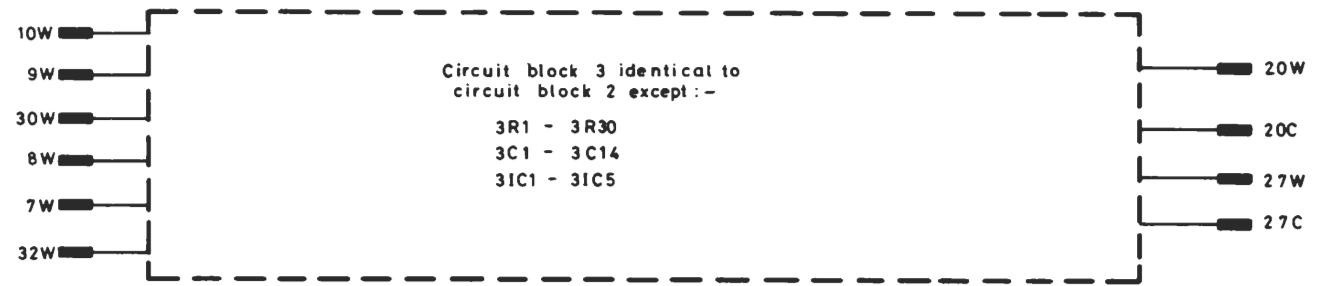
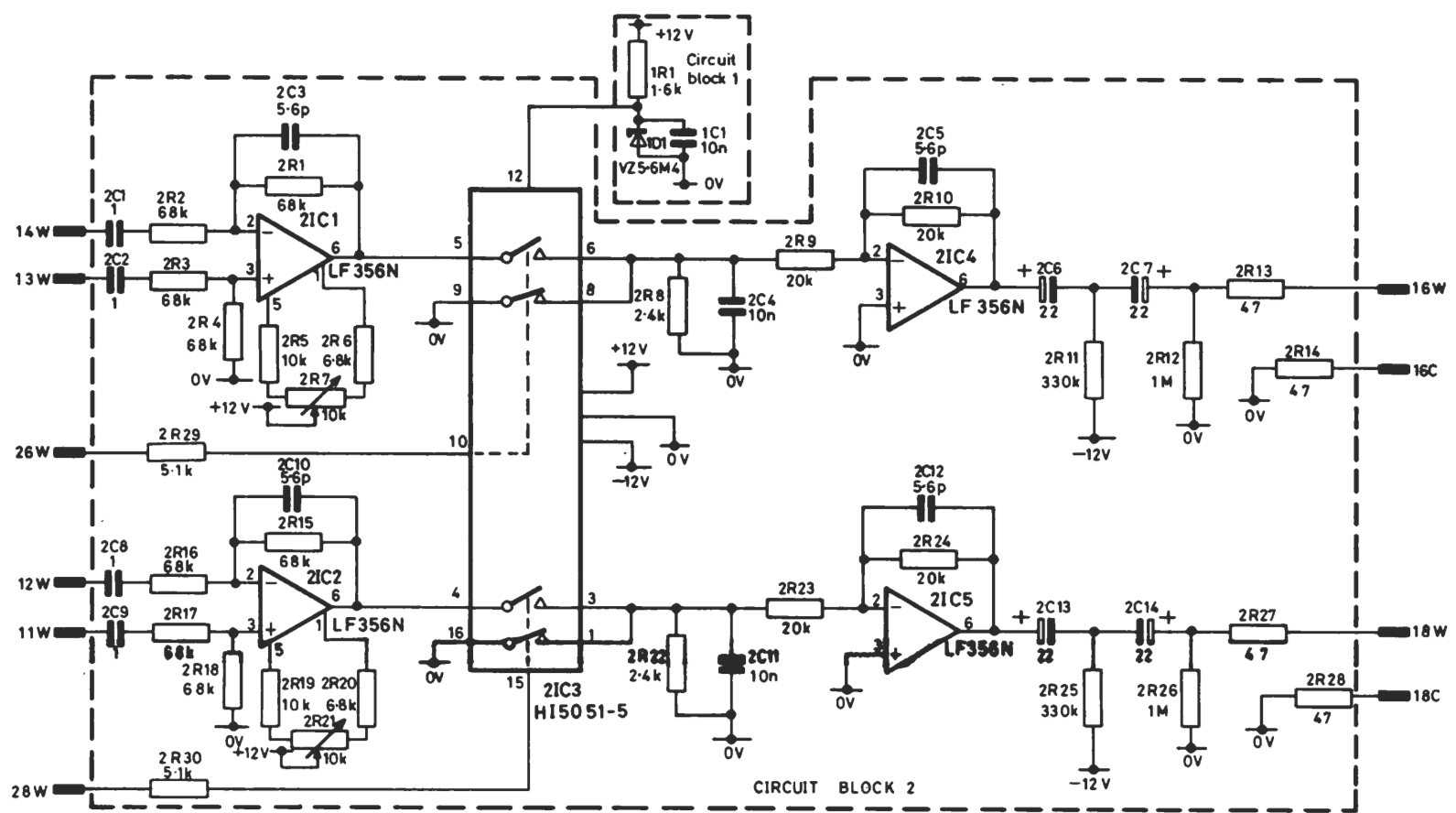


SCALE: 0
 THIRD ANGLE PROJECTION
 ORIGINAL FRAME SIZE 400mm x 574mm

BBC
 DS/A2/1
 This drawing/specification is the property of the British Broadcasting Corporation and may not be reproduced or disclosed to a third party in any form without the written permission of the Corporation.

NO	CHANGE
1	6. 10. 81
2	4. 10. 81



A.F. SWITCH CIRCUIT
 SE 2/23

PARTS LIST: D51211A4

DESIGNS DEPARTMENT
 D51210A2
 S.M. LTD. JAPAN

All dimensions in millimetres unless otherwise stated.
 Normal tolerances:
 no decimal places ± 1 mm
 one decimal place ± 0.2 mm
 two decimal places ± 0.1 mm
 unless otherwise stated

DRN. T.C.D. A.R.T.
 CKD. A.R.T.
 APTD.