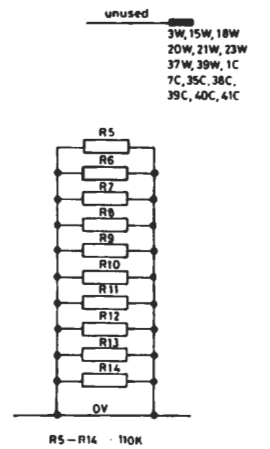
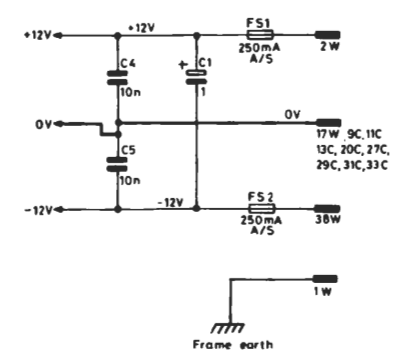


IC CIRCUIT REF	SUPPLY CONNECTIONS					TYPE
	+12V	+6	0V	-6V	-12V	
IC1	-	14	-	7	-	MOS/DIC4075BN
11C1 to 11C12	7	-	-	4	-	LF356N
31C2 & 32C2	7	-	-	4	-	LF356N
31C1 & 32C1	7	-	-	4	-	NE5534AN



D46598 A1

SCALE 56 H L TO L4601A

SE2/8  
 UNIT  
 A.F. SWITCH  
 CIRCUIT

OWN	DESIGNED	APPD
	P.D.G.	7/8
DESIGNS DEPARTMENT		

PARTS LIST D46599A4  
**D46598 A1**